

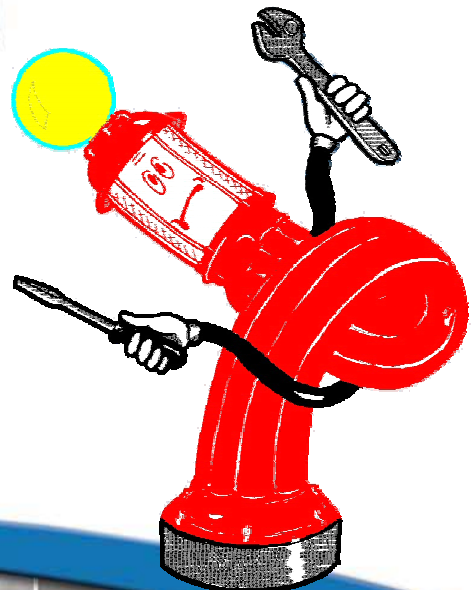
Global Star

(Global Star LHR, and HH - phase 3)



Spare Parts

Global Star LHR and HH



WM011948 MMe 2006-05-10 Rev.02.2





Product Liability

For the supplier's product liability to be valid, no alterations, additions or the like may be made to the equipment without the supplier's express permission.

Use only genuine parts



Produktansvar

För att en leverantörs produktansvar skall gälla får ändringar, kompletteringar och liknande ej göras i utrustningen utan leverantörens godkännande.

Originalreservdelar skall alltid användas.



Produkthaftung

Damit die Produkthaftung des Lieferanten ihre Gültigkeit behält, dürfen ohne ausdrückliche Genehmigung des Lieferanten keine Änderungen, Ergänzungen o. Ä. an der Ausrüstung vorgenommen werden. Verwenden Sie nur Originalteile.



Ответственность поставщика

Для сохранения ответственности нельзя вводить в оборудование изменения, дополнения и т.п. без разрешения поставщика. Пользуйтесь только оригинальными запасными частями, выпущенным изготовителем бензоколонки.

Caution

To prevent damage that might result in electric shock or fire, disconnect the main power prior to any work.

Varning

Gör pumpen/enheten strömlös innan Du gör ingrepp i den. I annat fall föreligger risk för skada.

Vorsicht

Um Beschädigungen zu vermeiden, die zu einem elektrischen Schlag oder Feuer führen können, unterbrechen Sie vor jeder Arbeit die Stromzufuhr.

Осторожно

Во избежание поражения электрическим током или пожара отключайте напряжение питания перед началом любых работ.

Warning

Never run a leaking pump! Be careful with the environment and mind the skidding risk; take care of leaking fuel immediately.

Varning

Använd aldrig en läckande pump. Tänk på miljön och halkrisken, sanera utläckt drivmedel snarast.

Warnung

Lassen Sie nie eine undichte Zapfsäule laufen! Seien Sie umweltbewusst und denken Sie an die Rutschgefahr; beseitigen Sie austretenden Kraftstoff umgehend.

Предупреждение

Не пользуйтесь колонкой при наличии утечки топлива! Охраняйте окружающую среду, помните об опасности скольжения: в случае утечки топлива на дорожное покрытие возле колонки, примите меры немедленно.



The contents of this publication may not be copied either wholly or in part without the consent of Dresser Wayne AB.

Dresser Wayne AB reserves the right to change specifications contained in the text and illustrations without notice.

Innehållet i denna publikation får ej helt eller delvis kopieras utan medgivande från Dresser Wayne AB.

Dresser Wayne AB förbehåller sig rätten att utan särskilt meddelande ändra specifikationer givna i text och bild.

Der Inhalt dieses Handbuchs darf ohne die Erlaubnis von Dresser Wayne weder ganz noch teilweise kopiert werden.

Dresser Wayne behält sich das Recht vor, textliche oder bildliche Inhalte ohne besondere Mitteilung zu ändern.

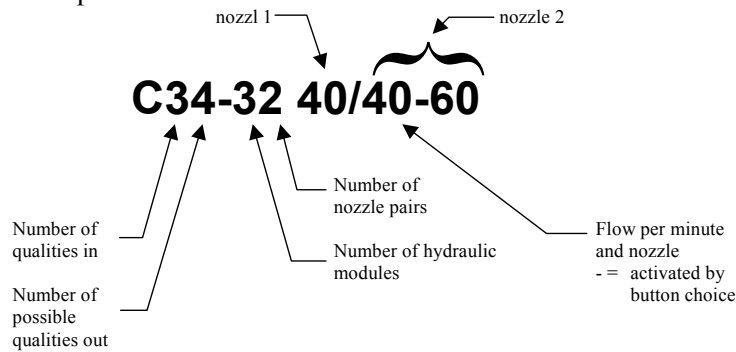
© Copyright

Не разрешается копировать полностью или частично содержание настоящей публикации без разрешения фирмы Dresser Wayne AB.

Dresser Wayne AB оставляет за собой право вносить изменения в спецификации, в тексте и иллюстрациях, без предварительного уведомления.

1 What does the denomination of the pump indicate

Example



C33-33 40-70/40/40 B2B 22-32 130/40
Main pump B2B module

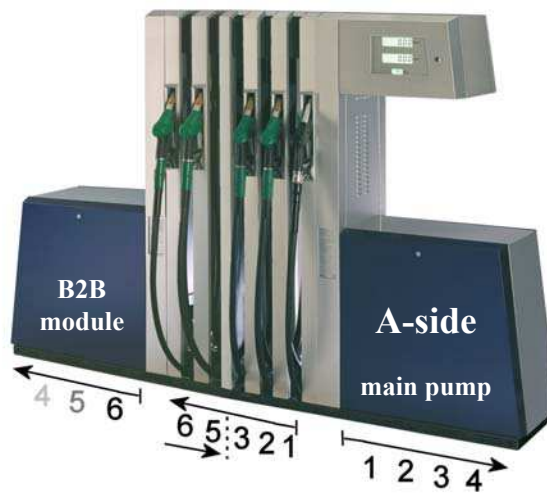
- 40 l/min, nozzle position 1, 2, 3, 4, 5 or 6
- 40-70 or 70 or 90 or 130 l/min, nozzle position 1 or 6
- 40-60 or 60 l/min, nozzle position 2, 3, 4 or 5
- Blend, nozzle position 1 or 6.
- Maximum 2 nozzles on B2B module
- Maximum 3 motors on B2B module
- Maximum 6 motors totally



Global Star HH



Global Star LHR



Global Star LHR B2B (back to back)

1.1 Serial number

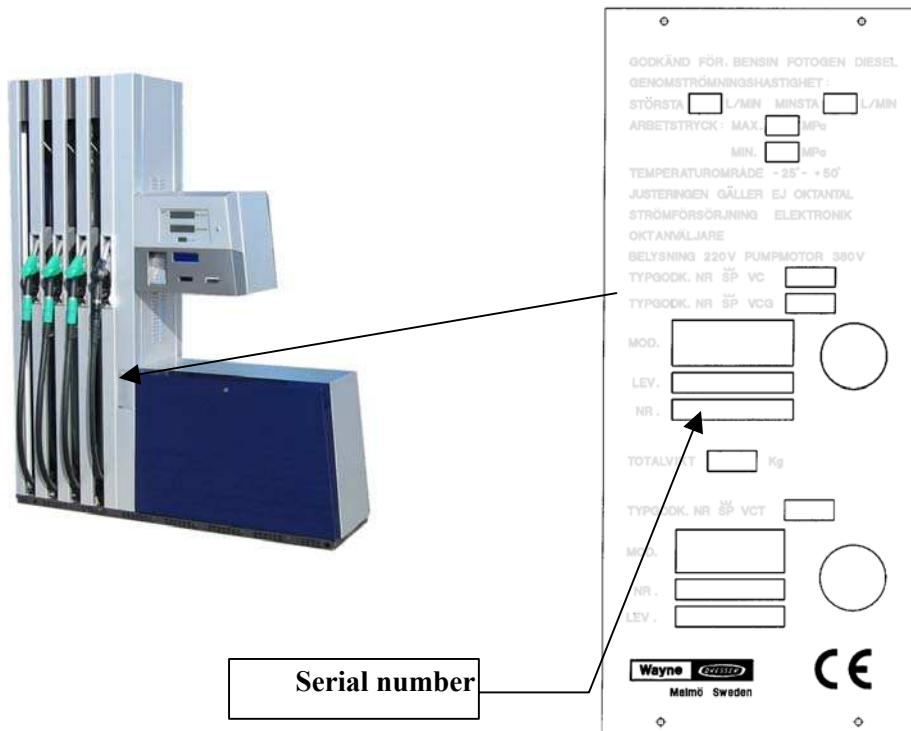


Figure 1 Marking sign

Example

3-94555-001-A = phase - TO number - No. - pump side
 TO number = Manufacturing order number
 No. = unique number within the manufacturing order number

2 Contents

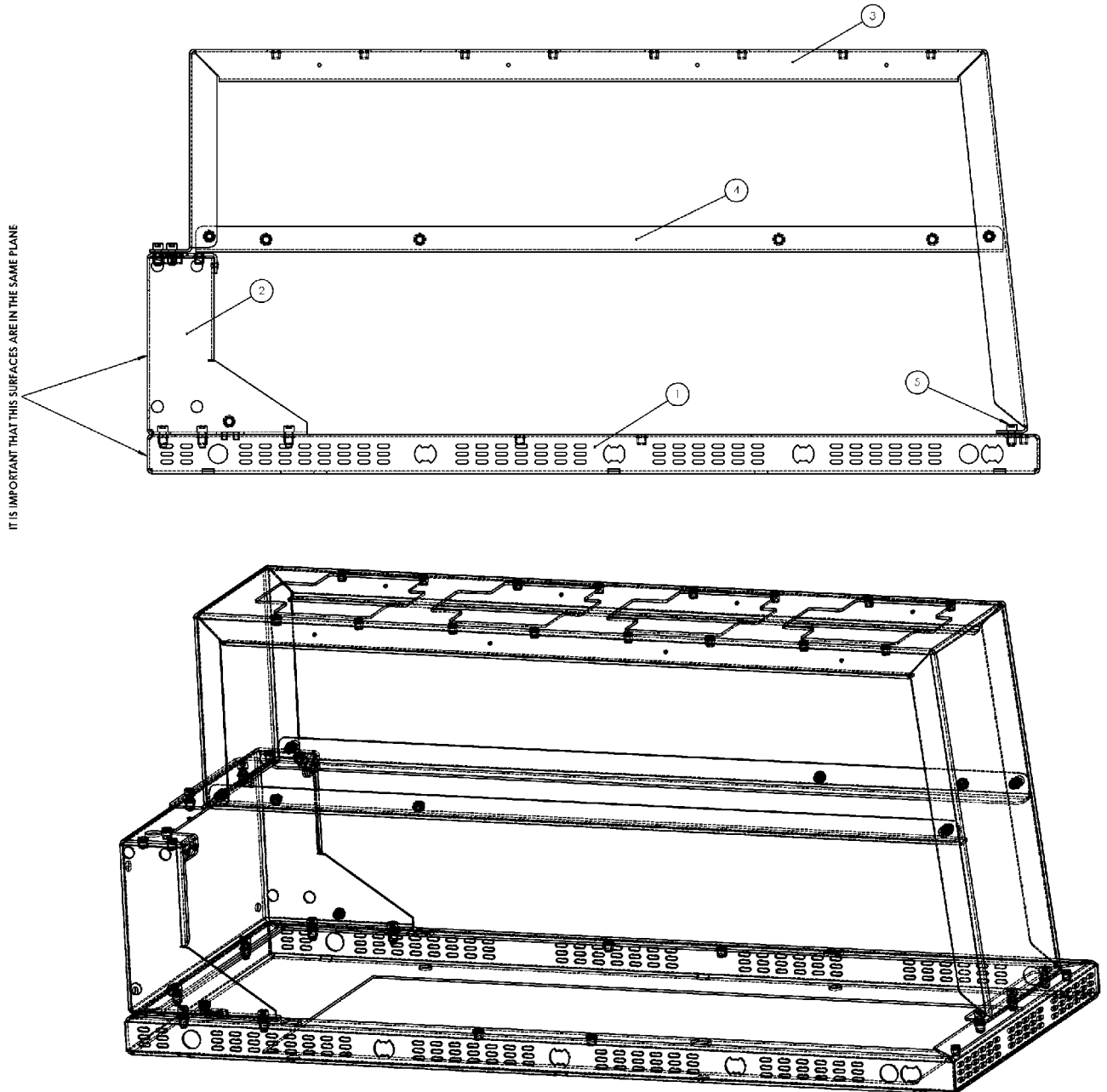
Cables Global Star LHR and HH	see wiring diagram WMxxxxxx
Instruction, Vapour Recovery, Global Star	see document WM010714
Painting instructions Global Star B2B phase 2	see document 461386
Painting instructions Global Star HH phase 2	see document 461401
Painting instructions Global Star LHR phase 2	see document 461399
Painting instructions Global Star LPG phase 2	see document 461387
Spare Parts, Global Star Electronic Head (phase 3)	see document WM011946
Spare Parts, Global Star H.....	see document WM011950
Spare Parts, Global Star HH/LHR.....	see document WM011948
Manuals, Sparpart lists and Drawings.....	see Malmö ftp-server

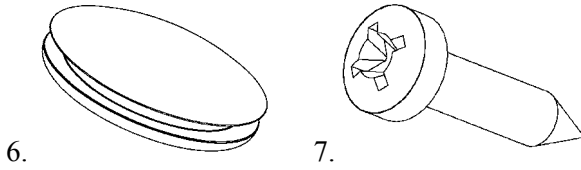
1	What does the denomination of the pump indicate	3
1.1	Serial number	4
2	Contents.....	5
3	Frameworks hydraulics	7
3.1	Dispensers Global Star LHR and HH	7
3.2	Suction pump Global Star LHR and HH.....	9
4	Tube	10
4.1	Tube from hydraulic to tube connector (LHR and HH).....	11
4.2	LHR (from hose to tube connector).....	12
4.3	HH C33-44 130/40/40/40, C22-33, C11-22, 23,22 (from hose to tube connector)	12
4.4	HH C44-44 40/40/40/40, 40-70, 40-60, 70, 60 (from hose to tube connector)	12
4.5	HH C44-44 40-90, 90 (from hose to tube connector).....	13
4.6	HH C11-11 SB 40-90, 90 (from hose to tube connector).....	13
4.7	HH C11-21 130/40 SAT (from hose to tube connector)	13
4.8	HH C11-32 130/40 SIM (from hose to tube connector)	13
4.9	HH C44-42 40/40, 40-60, 60 (from hose to tube connector).....	13
4.10	HH C34-32 40/40, C23-21, C22-32 130/40, C11-21 130, C11-31 130 (from hose to tube connector).....	14
4.11	HH C33-43 130/40/40, C45-43 (from hose to tube connector).....	14
4.12	HH C33-43 SB 130/40/40, C22-32SB 130/40 (from hose to tube connector).....	14
4.13	HH C44-44 SB 40, 40-60, 60, 40-70, 70 (from hose to tube connector).....	14
4.14	3 connections tube for high capacity pumps	15
4.15	Tube, air venting	15
4.16	Tube vapour, Global Star HH.....	16
4.17	Tube vapour, Global Star LHR	17
4.18	Other.....	18
5	Hose handling	20
5.1	Framework hose handling, LHR	20
5.2	Framework hose handling, Global Star HH.....	22
5.3	Column Global Star LHR.....	24
5.3.1	Upper hose retraction module, Global Star LHR.....	26
5.3.2	Lower hose retraction module. Global Star LHR	27
5.4	Column Global Star HH	28
5.4.1	Hose Handling Global Star HH.....	29
5.5	Nozzle and hose.....	30
5.5.1	Cover	30
5.5.2	Nozzle.....	31
5.5.3	Hose, Global Star LHR	33
5.5.4	Hose, Global Star HH.....	33
5.5.5	Miscellaneous	34

5.6	Divider panel.....	36
5.6.1	Divider panel, Global Star LHR.....	36
5.6.2	Divider panel, Global Star HH.....	37
6	Pallet/Drip-pan/Extended base frame/foundation frame.....	38
6.1	Pallet.....	38
6.2	Extendend base frame.....	38
6.3	Foundation frame.....	39
6.4	Drip-pan.....	39
7	Exterior.....	40
7.1	Cover plate, top panel, hose handling.....	40
7.2	Cover plate, column.....	41
7.3	Side panel, hose handling.....	42
7.4	Front panel, hydraulic.....	44
7.4.1	Global Star LHR and HH.....	44
7.5	Side panel.....	46
7.5.1	Global Star LHR and HH.....	46
7.6	Sealing barrier.....	47
7.7	Padlock.....	48
7.8	Remote control, with battery.....	48
7.9	Other to SAT.....	49
8	Documents.....	50
9	Notes.....	52
10	Market & Service.....	53

3 Frameworks hydraulics

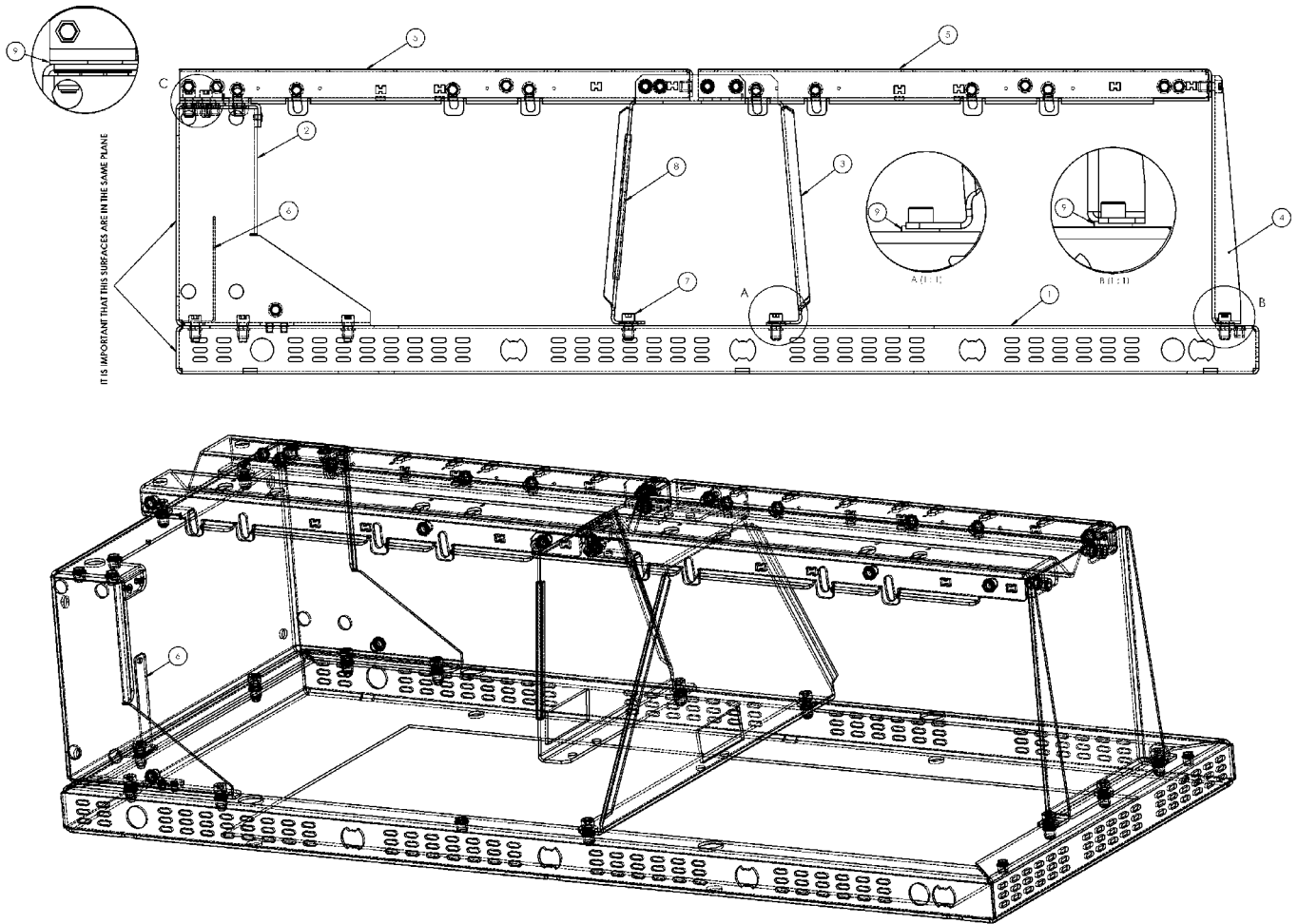
3.1 Dispensers Global Star LHR and HH





	Part number	Description
1		Base, hydraulics
	WM002791-0005	3 modules black grey, RAL 7021, gloss 70
	WM002791-0006	4 modules black grey, RAL 7021, gloss 70
2	WM001810	Support, box shape
	WB000220-0001	Pop-nut, open, low profile csk, hex body, M8, grip range 0.9 - 3.3
	WB000219-0001	Pop-nut, open, low profile CSK, hex body, M6, grip range 0.7 - 3.0
3		Support
	WM001836	1 module
	WM001912	3 modules
	WM001935	4 modules
	WB000252-0001	Pop rivet, dome head, 4.8 diameter, grip range 4.8 - 6.0
	WB000219-0001	Pop-nut, open, low profile CSK, hex body, M6, grip range 0.7 - 3.0
4		Support, L-shape
	WM001910	3 modules
	WM001914	4 modules
	WB000217-0001	Pop-nut, open, low profile CSK, M5, grip range 0.5 - 3.0
5	WB000212-0001	Screw, hexagon socket cap, M8 x 20
6	WM003405	Plug, PVC blanking plug
7	WB000273-0002	Grounding screw, M5

3.2 Suction pump Global Star LHR and HH



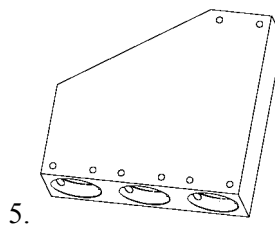
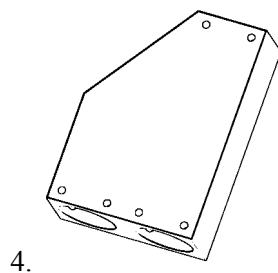
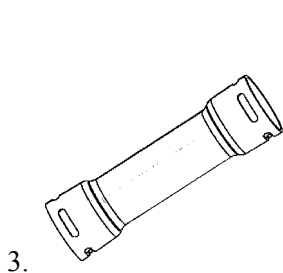
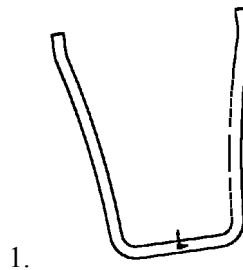
	Part number	Description
1	WB000273-0002	Grounding screw, M5
	Base, hydraulics	
	WM002791-0005	3 modules black grey, RAL 7021
	WM002791-0006	4 modules black grey, RAL 7021
	WM002791-0013	3 modules ultramarine blue RAL 5002
2	WM001810	Support, box shape
	WB000220-0001	Pop-nut, open, low profile csk, hex body, M8, grip range 0.9 - 3.3
3	WM000119	Support, U-shape
	WB000219-0001	Pop-nut, open, low profile CSK, hex body, M6, grip range 0.7 - 3.0
	WB000252-0001	Pop rivet, dome head, 4.8 diameter, grip range 4.8 - 6.0
4	WM000125	Support, flat
	WB000217-0001	Pop-nut, open, low profile CSK, M5, grip range 0.5 - 3.0
5	WM001830	Support, suction hydraulics, 2 modules
6	WM003356	Support, L-shape
7	WB000212-0001	Screw, hexagon socket cap, M8 x 20
8	WB000267-0001	Edge protector grip range 1.0 - 2.0 THK
9	WM004294	Washer, plain

4 Tube

Tubes for vapour recovery see chapter 4.16 page 16.



You will find the tube number printed on the tube.



	Part number	Description
1	WM001925	Lock pin for tube fitting (see also page 35)
2	WM004364	O-ring t=5.0, ID=21 (for “double bump”, tube connection)
		Tube connector, Coupling female double bump
3	WM006357	1-1
4	WM003045	2-1
5	WM003046	3-1

4.1 Tube from hydraulic to tube connector (LHR and HH)

Part number	Description
	Tube, fuel delivery, side A
WM002500	Hydraulic 1
WM002515	Hydraulic 1
WM002630	Hydraulic 1
WM002716	Hydraulic 1
WM002732	Hydraulic 1
WM002750	Hydraulic 1
WM002856	Hydraulic 1
WM004240	Hydraulic 1
WM004250	Hydraulic 1
WM002513	Hydraulic 2
WM002724	Hydraulic 2
WM002734	Hydraulic 2
WM002517	Hydraulic 3
WM002726	Hydraulic 3
WM002564	Hydraulic 4
WM002728	Hydraulic 4
	Tube, fuel delivery, side B
WM002502	Hydraulic 1
WM002504	Hydraulic 1
WM002672	Hydraulic 1
WM002736	Hydraulic 1
WM002740	Hydraulic 1
WM002742	Hydraulic 1
WM004247	Hydraulic 1
WM004252	Hydraulic 1
WM002510	Hydraulic 2
WM002738	Hydraulic 2
WM002520	Hydraulic 3
WM002566	Hydraulic 4



You will find the tube number
printed on the tube.

4.2 LHR (from hose to tube connector)

Part number	Description
	Tube, fuel delivery, side A
WM002627	Hose 1
WM002674	Hose 1
WM002618	Hose 2
WM002678	Hose 2
WM002712	Hose 2
WM002612	Hose 3
WM002570	Hose 4
	Tube, fuel delivery, side B
WM002676	Hose 1
WM002714	Hose 1
WM002622	Hose 2
WM002680	Hose 2
WM002686	Hose 2
WM002615	Hose 3
WM002607	Hose 4

4.3 HH C33-44 130/40/40/40, C22-33, C11-22, 23,22 (from hose to tube connector)

Part number	Description
	Tube, fuel delivery, side A
WM008195	Hose 1 (CU Ø28) (Tubes from the hydraulic, WM002500 & WM002734)
WM008210	Hose 1 (Tubes from the hydraulic, WM002500 & WM002734)
WM008218	Hose 2 (Tube from the hydraulic, WM002732)
WM008219	Hose 3 (Tube from the hydraulic, WM002517)
WM002821	Hose 4 (Tube from the hydraulic, WM002564)
	Tube, fuel delivery, side B
WM008211	Hose 1 (CU Ø28) (Tubes from the hydraulic, WM002502 & WM002738)
WM008212	Hose 1 (Tubes from the hydraulic, WM002502 & WM002738)
WM008217	Hose 2 (Tube from the hydraulic, WM002736)
WM008220	Hose 3 (Tube from the hydraulic, WM002520)
WM008222	Hose 4 (Tube from the hydraulic, WM002566)

4.4 HH C44-44 40/40/40/40, 40-70, 40-60, 70, 60 (from hose to tube connector)

Part number	Description
	Tube, fuel delivery, side A
WM008210	Hose 1 (CU Ø22)
WM008218	Hose 2
WM008219	Hose 3
WM008221	Hose 4
	Tube, fuel delivery, side B
WM008212	Hose 1 (CU Ø22)
WM008217	Hose 2
WM008220	Hose 3
WM008222	Hose 4

4.5 HH C44-44 40-90, 90 (from hose to tube connector)

Part number	Description
	Tube, fuel delivery, side A
WM008215	Hose 1
WM008218	Hose 2
WM008219	Hose 3
WM008221	Hose 4
	Tube, fuel delivery, side B
WM008213	Hose 1
WM008217	Hose 2
WM008220	Hose 3
WM008222	Hose 4

4.6 HH C11-11 SB 40-90, 90 (from hose to tube connector)

Part number	Description
	Tube, fuel delivery, side B
WM008211	Hose 1 (Tubes from the hydraulic, WM0022672 & WM002856)

4.7 HH C11-21 130/40 SAT (from hose to tube connector)

Part number	Description
	Tube, fuel delivery, side A
WM008195	Hose 1 (Tubes from the hydraulic, WM002853 & WM002732)
WM008213	Hose 1 (SB)
	Tube, fuel delivery, side B
WM008211	Hose 1 (Tube from the hydraulic, WM002672)

4.8 HH C11-32 130/40 SIM (from hose to tube connector)

Part number	Description
	Tube, fuel delivery, side A
WM008195	Hose 1 (Tubes from the hydraulic, WM002500 & WM002734)
WM008218	Hose 2 (Tube from the hydraulic, WM002732)
	Tube, fuel delivery, side B
WM008211	Hose 1 (Tubes from the hydraulic, WM002502 & WM002738)
WM008217	Hose 2 (Tube from the hydraulic, WM002736)

4.9 HH C44-42 40/40, 40-60, 60 (from hose to tube connector)

Part number	Description
	Tube, fuel delivery, side A
WM008210	Hose 1 (Tubes from the hydraulic, WM002630 & WM002513 & WM002517)
WM008218	Hose 2 (Tube from the hydraulic, WM002566)
	Tube, fuel delivery, side B
WM002812	Hose 1 (Tubes from the hydraulic, WM002520 & WM002510 & WM002672)
WM008217	Hose 2

4.10 HH C34-32 40/40, C23-21, C22-32 130/40, C11-21 130, C11-31 130 (from hose to tube connector)

Part number	Description
	Tube, fuel delivery, side A
WM008195	Hose 1
WM008213	Hose 1 (C11-21 SB)
WM008210	Hose 1 (C23-21)
WM008218	Hose 2
	Tube, fuel delivery, side B
WM008211	Hose 1
WM008212	Hose 1 (C23-21)
WM008217	Hose 2

4.11 HH C33-43 130/40/40, C45-43 (from hose to tube connector)

Part number	Description
	Tube, fuel delivery, side A
WM008195	Hose 1 (Tubes from the hydraulic, WM002630 & WM002513)
WM008210	Hose 1 (C45-43) (Tubes from the hydraulic, WM002630 & WM002513)
WM008218	Hose 2 (Tube from the hydraulic, WM002517)
WM008219	Hose 3 (Tube from the hydraulic, WM002564)
	Tube, fuel delivery, side B
WM008211	Hose 1 (Tubes from the hydraulic, WM002510 & WM002672)
WM008212	Hose 1 (C45-43) (Tubes from the hydraulic, WM002510 & WM002672)
WM008217	Hose 2 (Tube from the hydraulic, WM002520)
WM008220	Hose 3 (Tube from the hydraulic, WM002566)

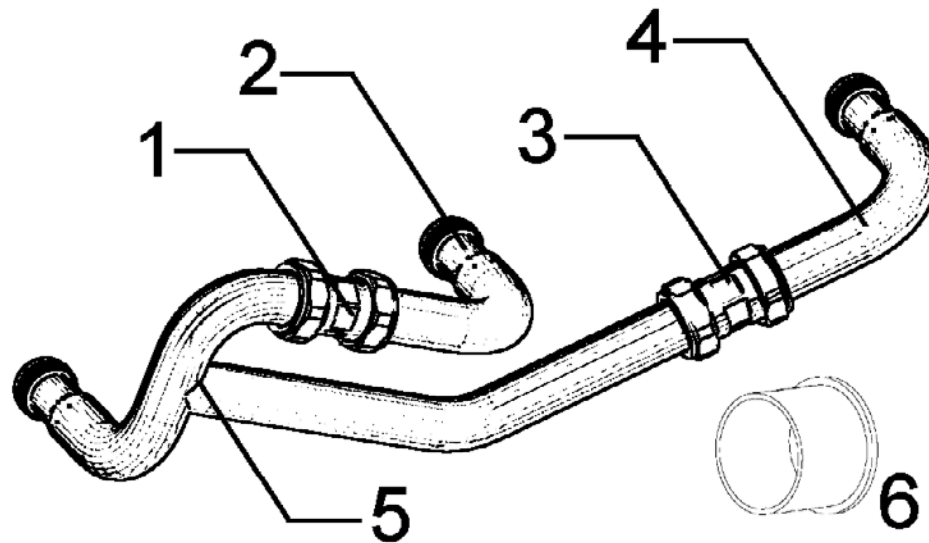
4.12 HH C33-43 SB 130/40/40, C22-32SB 130/40 (from hose to tube connector)

Part number	Description
	Tube, fuel delivery, side A
	Tube, fuel delivery, side B
WM008211	Hose 1 (Tubes from the hydraulic, WM002724 & WM002716)
WM008217	Hose 2 (Tube from the hydraulic, WM002726)
WM008220	Hose 3 (Tube from the hydraulic, WM002728)

4.13 HH C44-44 SB 40, 40-60, 60, 40-70, 70 (from hose to tube connector)

Part number	Description
	Tube, fuel delivery, side A
	Tube, fuel delivery, side B
WM008212	Hose 1 (Tube from the hydraulic, WM002716)
WM008217	Hose 2 (Tube from the hydraulic, WM002724)
WM008220	Hose 3 (Tube from the hydraulic, WM002726)
WM008222	Hose 3 (Tube from the hydraulic, WM002728)

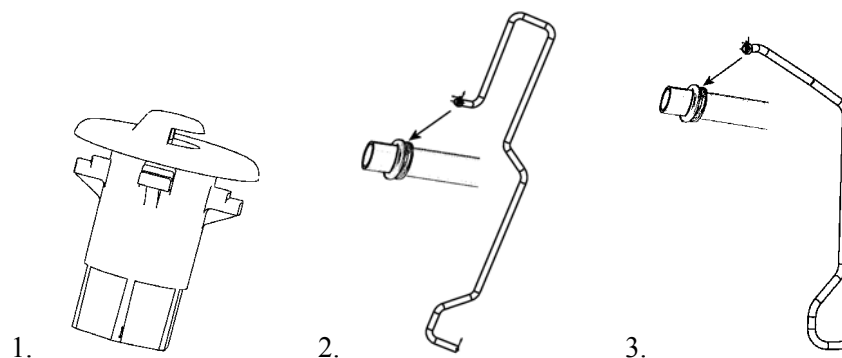
4.14 3 connections tube for high capacity pumps



If you want to exchange an old check valve WM005009 you must change the complete connection tube WM003123

	Part number	Description
	WM003123	3 connections tube (for high capacity pumps (C11-31 and C11-32))
1	WM012008	Check valve
2	WM012031	Tube
3	WM012008	Check valve
4	WM012031	Tube
5	WM005562	Tube (3 connection)
6	WM009403	Cap

4.15 Tube, air venting



	Part number	Description
1	WM011355	Plug with strainer, for air venting
2	WM007741	Tube, air venting Global Star LHR and HH (with "single bump")
	WB000408-0001	Self tapping screw, Torx, pan head, type C ST4,8 (for air venting tube with "single bump")
	WB000658-0001	Washer (for air venting tube with "single bump")
3	WM008347	Tube, air venting Global Star LHR and HH - Migrol (with "single bump")

4.16 Tube vapour, Global Star HH



You will find the tube number printed on the tube.

	Part number	Description
	WM008288	Side A, valve-nozzle 1
	WM008312	Side A, valve-nozzle 1 (Vaporix)
	WM008289	Side A, valve-nozzle 2
	WM008313	Side A, valve-nozzle 2 (Vaporix)
	WM008290	Side A, valve-nozzle 3
	WM008314	Side A, valve-nozzle 3 (Vaporix)
	WM010469	Side A, valve-nozzle 4
	WM010481	Side A, valve-nozzle 4 (Vaporix)
	WM008291	Side B, valve-nozzle 1
	WM008315	Side B, valve-nozzle 1 (Vaporix)
	WM008292	Side B, valve-nozzle 2
	WM008316	Side B, valve-nozzle 2 (Vaporix)
	WM008293	Side B, valve-nozzle 3
	WM008317	Side B, valve-nozzle 3 (Vaporix)
	WM010471	Side B, valve-nozzle 4
	WM010486	Side B, valve-nozzle 4 (Vaporix)

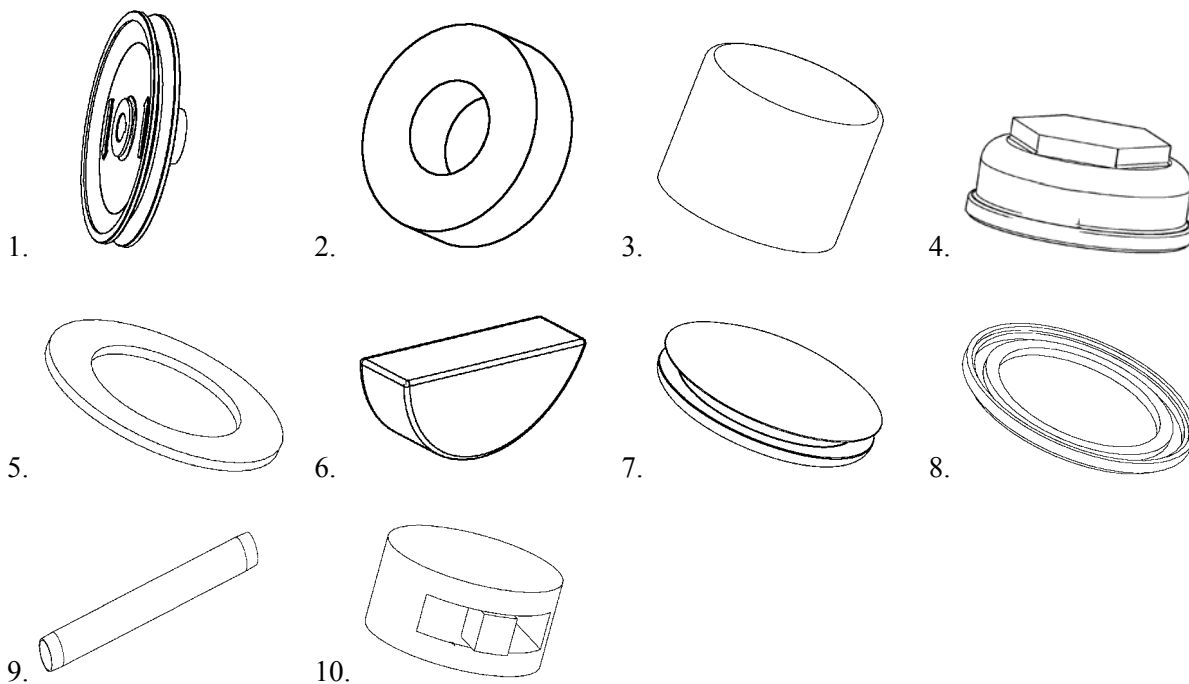
4.17 Tube vapour, Global Star LHR



You will find the tube number printed on the tube.

	Part number	Description
	WM002161	Tube, vapour L=110 mm
	WM002718	Tube, vapour L=250 mm
		Tube, vapour, side A
	WM002523	Dispenser, pump - valve
	WM002524	Dispenser, return, 3 phase motor
	WM002525	Dispenser, return, single phase motor
	WM002559	Side A pump - valve, 3 phase motor
	WM002561	Side A pump - valve, single phase motor
	WM002560	Side A return, 3 phase motor
	WM002562	Side A return, single phase motor
	WM002706	Side A valve - vacuum gauge
	WM002703	Side A valve - Vaporix
	WM002581	Valve - nozzle 1
	WM002585	Valve - nozzle 2
	WM002586	Valve - nozzle 3
	WM010462	Valve - nozzle 4
	WM002696	Vaporix - nozzle 1
	WM002697	Vaporix - nozzle 2
	WM002698	Vaporix - nozzle 3
	WM010476	Vaporix - nozzle 4
		Tube, vapour, side B
	WM002521	Side B dispenser, pump - valve
	WM002522	Side B dispenser, return
	WM002557	Side B pump - valve
	WM002558	Side B return
	WM002707	Side B valve - vacuum gauge
	WM002708	Side B valve - vacuum gauge, single sided
	WM002705	Side B valve - Vaporix
	WM002588	Valve - nozzle 1
	WM002589	Valve - nozzle 2
	WM002591	Valve - nozzle 3
	WM010464	Valve - nozzle 4
	WM002699	Vaporix - nozzle 1
	WM002700	Vaporix - nozzle 2
	WM002702	Vaporix - nozzle 3
	WM010478	Vaporix - nozzle 4

4.18 Other

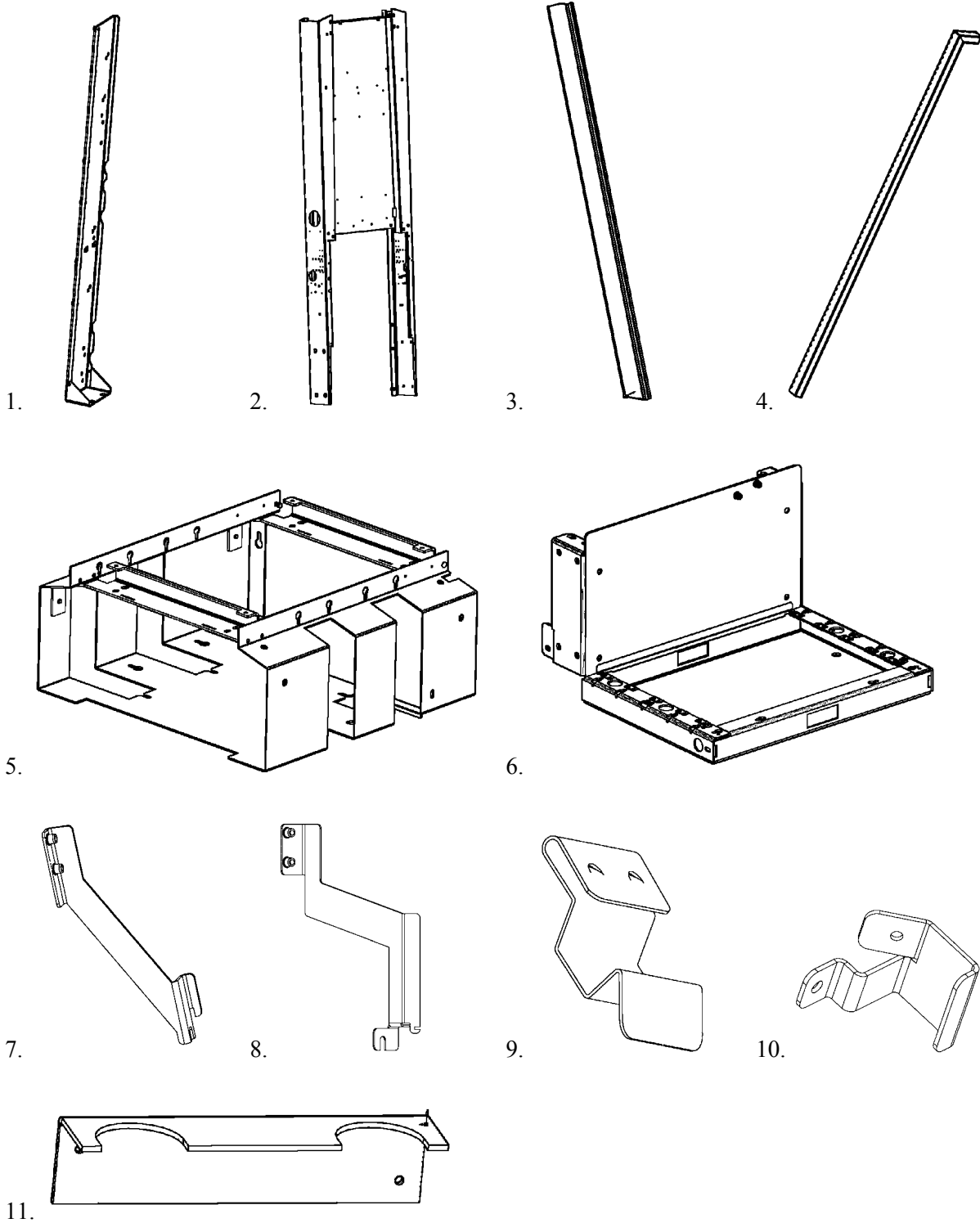


	Part number	Description
1	WM004303	Pulley for Z-belt (included spacer)
	WM002869	Pulley for Z-belt (use spacer WM002891)
2	WM002891	Spacer hydraulic pulley (see pulley WM002869)
3	WM003404	Cap
4	WM002002	Cover, machined
5	WM003350	Gasket
6	WM001667	Key, Woodruff D=19, T=4.75
	WB000341-0001	Nut, 5/8" UNF JAM-NUT
	WM000446	O-ring T=3.0, ID=64.5
7	WM003405	Plug, PVC blanking plug
8	WM003830	Ring galvanic isolation
9	WM003765	Tube dispenser inlet LHR
10	WM003776	Seal, lead



5 Hose handling

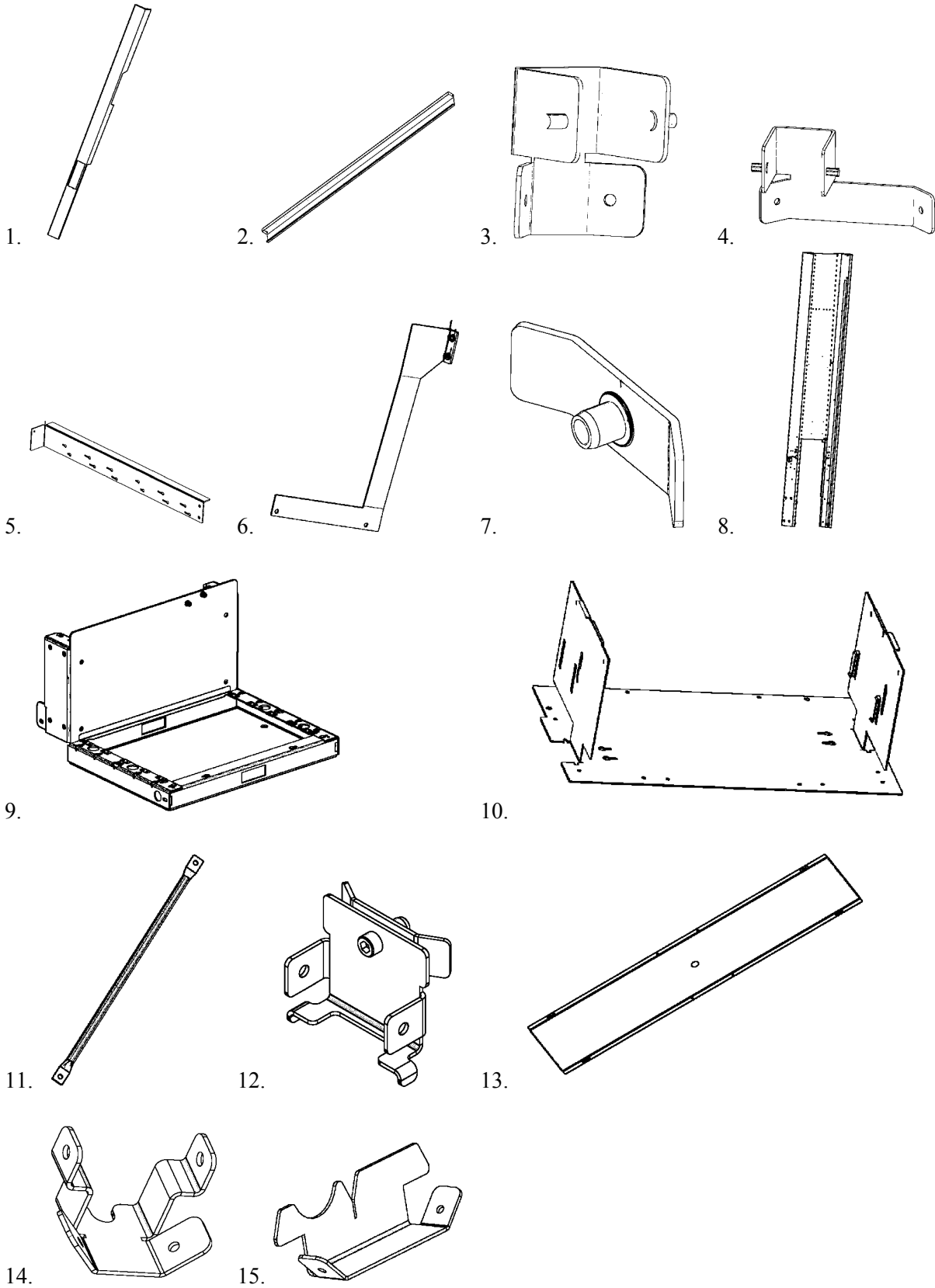
5.1 Framework hose handling, LHR



Sealing barrier see page 47

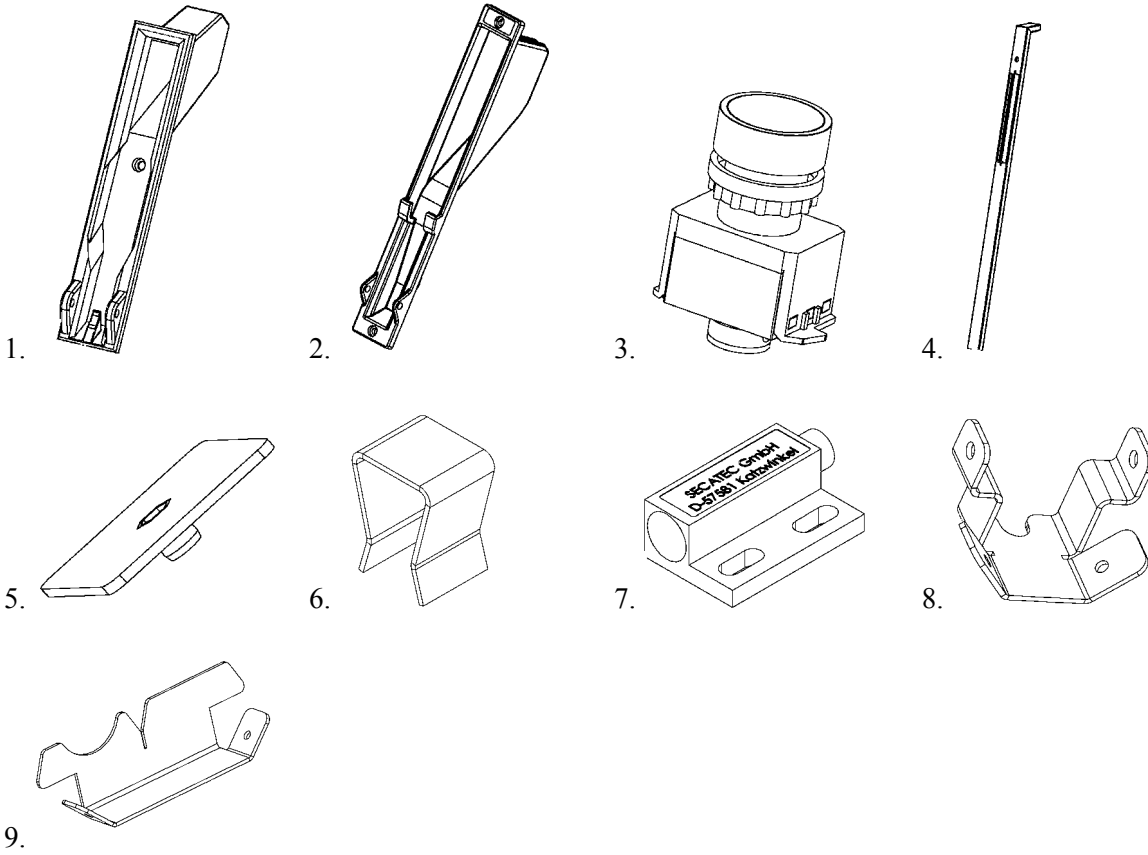
	Part number	Description	
1	WM007590	Shortened Hose Reach (see also document WM007588)	
	WM001790	Support, L-shape	
	WB000215-0001	Pop-nut, open, low profile CSK, M4, grip range 0.5 - 2.0	
2	WB000256-0002	Pop rivet, dome head, 3.2 diameter, grip range 3.2 - 4.5	
	WM002317	Blind column	
	WB000220-0001	Pop-nut, open, low profile CSK, hex body, M8, grip range 0.9 - 3.3	
	WB000235-0001	Press screw, flush, M4 x 15	
	WB000237-0001	Press screw, flush, M6 x 12	
	WB000257-0001	Pop-nut, closed, low profile CSK, hex body, M6, grip range 0.5 - 3.0	
	WB000258-0001	Pop-nut, closed, low profile CSK, hex body, M8, grip range 0.7 - 3.0	
3		Side panel	
	WM001972-0001	Side A 75 deg	
	WM001972-0002	Side B 75 deg	
4		Corner column (see also Support U-shape WM002137)	
	WM001973-0001	Side A 75 deg	
	WM001973-0002	Side B 75 deg	
		LPG see page Fel! Bokmärket är inte definierat.	
5		Top panel	
	WM003111-0001	1 module, black grey, RAL 7021, gloss 70	
	WM003111-0002	2 modules, black grey, RAL 7021, gloss 70	
	WM003111-0003	3 modules, black grey, RAL 7021, gloss 70	
	WM003111-0004	4 modules, black grey, RAL 7021, gloss 70	
		Top panel B2B	
	WM003111-0005	1 module, B2B, black grey, RAL 7021, gloss 70	
	WM003111-0006	2 module, B2B, black grey, RAL 7021, gloss 70	
	WM003111-0007	3 module, B2B, black grey, RAL 7021, gloss 70	
	WM005674	1 module, B2B LPG, black grey, RAL 7021, gloss 70	
	6		Base, hose handling
		WM002329	1 module
WM002330		2 modules	
WM002331		3 modules	
WM002332		4 modules	
WM007661		1 modules, B2B	
WM007662		2 modules, B2B	
7		WM003358	Support, Z-shape dispenser
	WB000219-0001	Pop-nut, open, low profile csk, hex body, M6, grip range 0.7 - 3.0	
8	WM003357	Support, Z-Shape suction	
	WB000219-0001	Pop-nut, open, low profile csk, hex body, M6, grip range 0.7 - 3.0	
9	WM002324	Spring, C-shape (for Base, hose handling)	
10	WM002137	Support, U-shape (Assembly instruction, see drawing WM008429-0001 and WM008429-0002)	
	WB000295-0001	Self tapping screw, Torx, pan head, type F ST5,5 x 22	
	WB000250-0001	Self tapping screw, Torx, pan head, type C ST5,5 x 19	
	11	WM004639	Support, L-shape
WB000211-0001		Screw, hexagon socket cap, M6 x 16	
WB000212-0001		Screw, hexagon socket cap, M8 x 20	
WB000229-0003		Lock nut, M6	
WB000229-0004		Lock nut, M8	
WB000256-0002		Pop rivet, dome head, 3.2 diameter, grip range 3.2 - 4.5	
WB000401-0002		Screw, CSK socket cap, M8 x 12	

5.2 Framework hose handling, Global Star HH



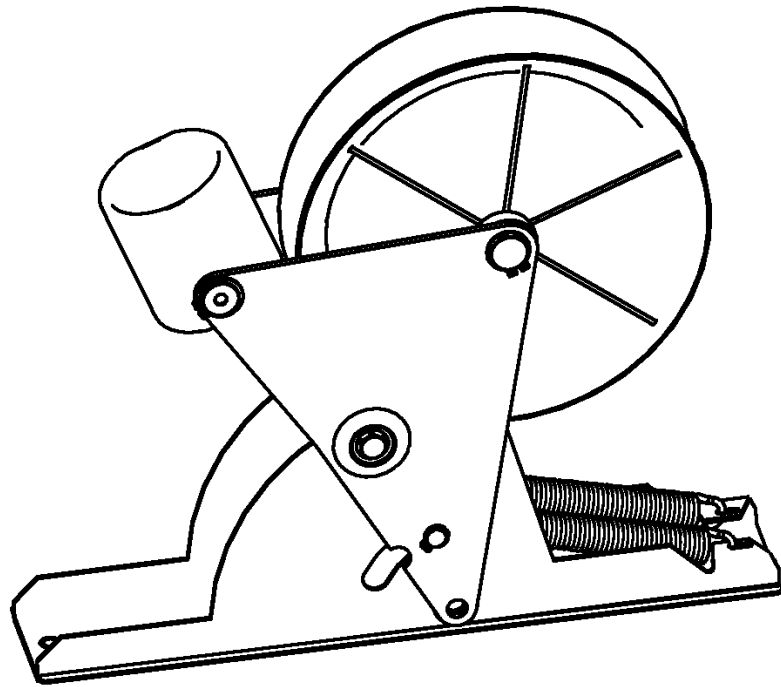
	Part number	Description
1		Panel, blind column
	WM007116	A-side
	WM007117	B-side
	WM008624-0001	Side A l=2149 mm CONOCO
	WM008624-0002	Side B l=2149 mm CONOCO
2		Column corner
	WM008044	Std
	WM008623-0001	Side A L=2148 mm CONOCO
	WM008623-0002	Side B L=2148 mm CONOCO
3	WM007894	Holder stay nozzle column
4	WM008298	Holder stay 140mm
5	WM004316	Holder VR sep. tank
6	WM008032	Holder VR sep. tank standing
7	WM007897	Support diver panel
8	WM007115	Blind Column
9		Base, hose handling
	WM002329	1 module std
	WM002330	2 modules std
	WM002331	3 modules std
	WM002332	4 modules std
	WM002791-0009	1 module blue RAL 5002
	WM002791-0010	2 modules blue RAL 5002
	WM002791-0011	3 modules blue RAL 5002
	WM002791-0012	4 modules blue RAL 5002
10		Top panel, hose handling
	WM007103-0001	1 module, traffic black RAL 7021
	WM007103-0002	2 module, traffic black RAL 7021
	WM007103-0003	3 module, traffic black RAL 7021
	WM007103-0004	4 module, traffic black RAL 7021
	WM007103-0005	1 module, signal yellow RAL 1003
	WM007103-0006	2 module, signal yellow RAL 1003
	WM007103-0007	3 module, signal yellow RAL 1003
	WM007103-0008	4 module, signal yellow RAL 1003
11	WE000466	Stay, L=438
12	WE000465	Support, U-shape, blind panel, assembly
13	WE000462	Blind panel, l=1877
14	WM002138	Support, U-shape
15	WM002448	Support, L-shape

5.3 Column Global Star LHR



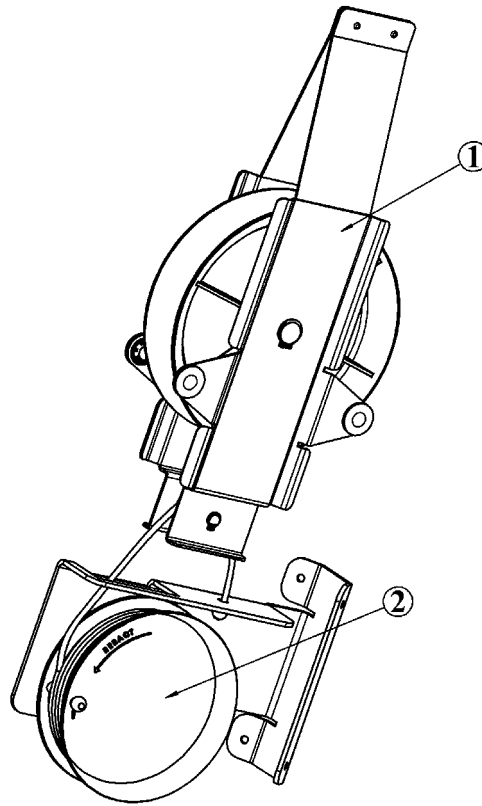
	Part number	Description
	WM003160	Sealant loxeal 58-11, thread sealant
		Nozzle boot
1	WM002659	AL, auto-on
2	WB000292	Plastic, auto-on
	WM005726	Decal, cover plastic nozzle boot (Grey RAL 7045)
3		Push-button
	WM002998-0003	Black
	WM002998-0005	Blue
	WM002998-0002	Green
	WM002998-0001	Red
	WM002998-0006	White
	WM002998-0004	Yellow
4		Column 75 deg
	WM001954-0005	Width 75 mm, for AL nozzle boot, WM002659
	WM002472-0001	Width 75 mm, for AL nozzle boot, WM002659, 1 button
	WM002472-0002	Width 75 mm, for AL nozzle boot, WM002659, 2 buttons
	WM002472-0003	Width 75 mm, for AL nozzle boot, WM002659, 3 buttons
	WM002472-0003	Width 75 mm, for AL nozzle boot, WM002659, 3 buttons
	WM008412	Width 75 mm, for plastic nozzle boot, WB000292
	WM003235-0001	Width 75 mm, for plastic nozzle boot, WB000292, 1 button
	WM003235-0002	Width 75 mm, for plastic nozzle boot, WB000292, 2 buttons
	WM003235-0003	Width 75 mm, for n plastic ozzle boot, WB000292, 3 buttons
	WM001962-0001	Width 140 mm (LPG)
	452982	Width 75 mm (without nozzle and button holes)
5	WM003277	Support, flat (holder for AL nozle boot WM002659)
	WB000220-0001	Pop-nut, open, low profile CSK, hex body, M8, grip range 0.9 - 3.3
6	WB000391	Clip, U-shape
7	WM001649-0003	Switch secatec 3-wire normally open/closed
8	WM002138	Support, U-shape
9	WM002448	Support, L-shape
	WB000250-0001	Self tapping screw, Torx, pan head, type C ST5,5 x 19
	WB000295-0001	Self tapping screw, Torx, pan head, type F ST5,5 x 22
	WB000370	Screw, hexagon socket button, M8 x 20, with tuflok locking patch
	WB000212-0001	Screw, hexagon socket cap, M8 x 20

5.3.1 Upper hose retraction module, Global Star LHR



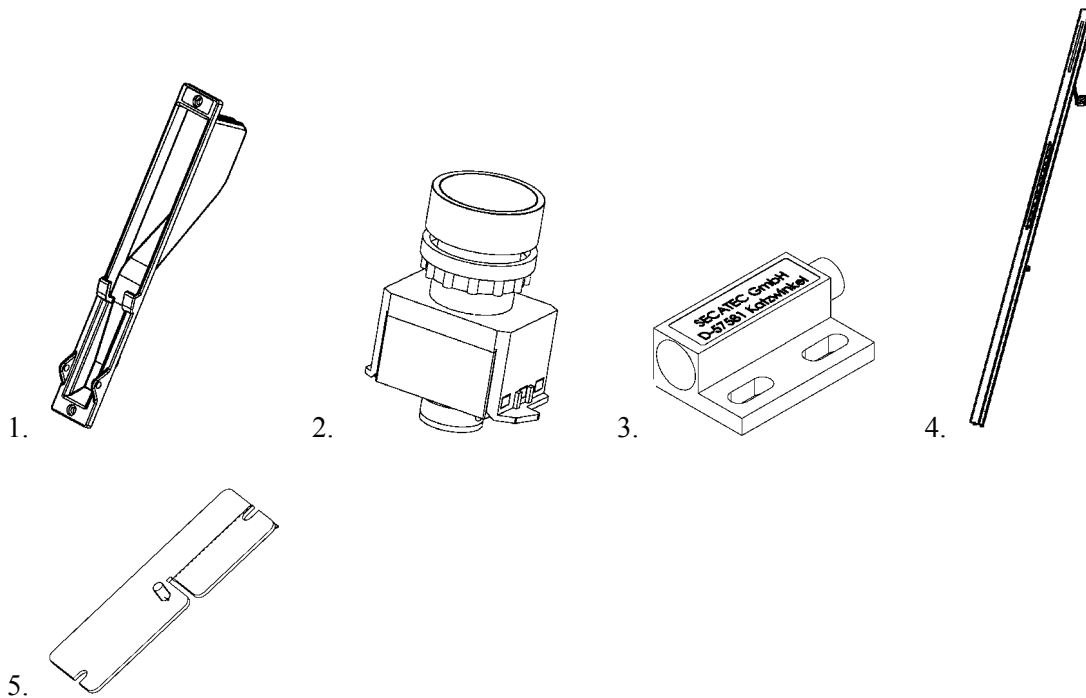
	Part number	Description
	WM008378	Upper hose retraction module

5.3.2 Lower hose retraction module. Global Star LHR



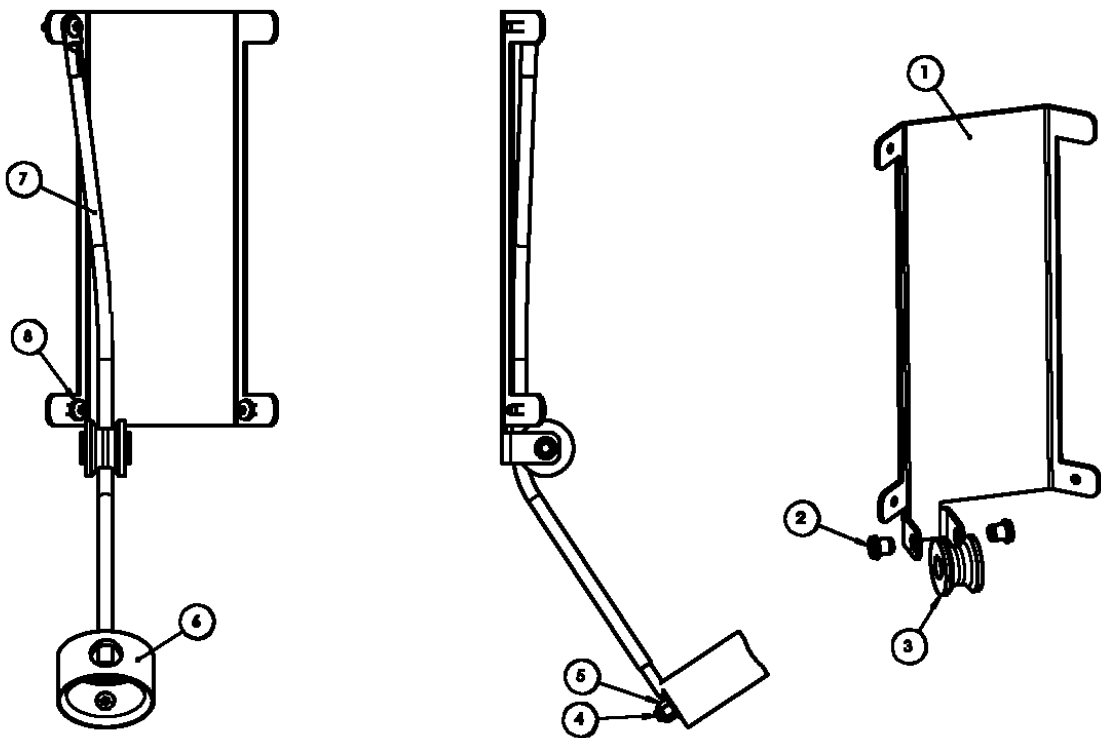
	Part number	Description
1	WM007745	Lower hose retraction module
2		Lower hose retraction module
	WM007740-0001	10kg
	WM007740-0002	8kg (use 10 kg)
	WM007740-0003	Single side, 10kg
	WM007740-0004	Single side, 8kg (use 10 kg)
	WM003772	Cord

5.4 Column Global Star HH



	Part number	Description
		Nozzle boot
1	WB000292	Plastic, auto-on
	WM005726	Decal, cover plastic nozzle boot (Grey RAL 7045)
2		Push-button
	WM002998-0003	Black
	WM002998-0005	Blue
	WM002998-0002	Green
	WM002998-0001	Red
	WM002998-0006	White
	WM002998-0004	Yellow
3	WM001649-0003	Switch Secatec 3-wire normally open/closed
4		Column (for plastic nozzle boot) ass'y
	WM008266	No button
	WM008283-0001	No button, Conoco
	WM008279-0001	1 button
	WM008283-0002	1 button, Conoco
	WM008279-0002	2 buttons
	WM008283-0003	2 buttons, Conoco
	WM008279-0003	3 buttons
	WM008283-0004	3 buttons, Conoco
	WM008283-0005	With 140mm, Conoco
5	WM008038	Support, flat width 139 mm

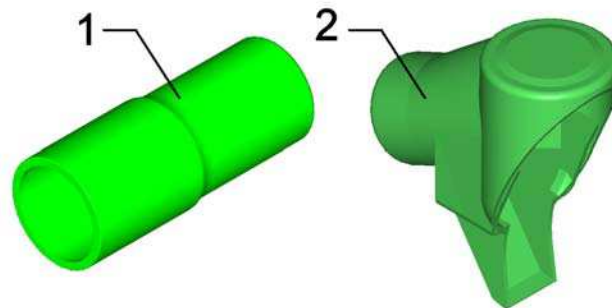
5.4.1 Hose Handling Global Star HH



	Part number	Description
		Hose handling ass'y
	WE000473	Std
	WE000474	Single sided
1		Support, U-shape hose handling,
	WE000467	Std
	WE000468	Single sided
2	WB000218-0001	Pop-nut, open, CSK, M6, grip range 1.5 - 4.0
3	WM008036	Pulley hose handling
4	WB000647-0001	Screw, CSK socket CAP, M6 x 16
5	WB000229-0003	Lock nut, M6
6	WM008039	Ring hose handling
7	WE000472	Cord L= 410 mm
8	WB000295-0001	Self tapping screw, Torx, pan head, type F ST5,5 x 22

5.5 Nozzle and hose

5.5.1 Cover



	Part number	Description
1		Hose cover
	WM007104-0001	Black CS16
	WM007104-0002	Blude CS16
	WM007104-0003	Red CS16
	WM007104-0004	Green CS16
	WM007104-0005	Yellow CS16
	WM007104-0006	White CS16
	WM007104-0007	Orange CS16
	WM007104-0008	BP dark blue, CS16
	WM007104-0009	BP light blue, CS16
	WM007545-0001	Blue CS21
	WM007545-0002	Yellow CS21
	WM007545-0003	Black CS21
	WM007545-0004	Red CS21
	WM007545-0005	Green CS21
	WM007545-0006	Orange CS21
	WM007545-0007	White CS21
	WM007545-0008	BP dark blue, CS21
2		Nozzle cover without VR
	WM002013-0006	Black
	WM002013-0005	Blue
	WM002013-0008	Dark blue
	WM002013-0009	Light blue
	WM002013-0003	Green
	WM002013-0007	Light green
	WM002013-0004	Red
	WM002013-0001	White
	WM002013-0002	Yellow
		Nozzle cover with VR
	WM002337-0005	Black
	WM002337-0004	Blue
	WM002337-0008	Light blue
	WM002337-0002	Green
	WM002337-0007	Light green
	WM002337-0003	Red
	WM002337-0006	White
	WM002337-0001	Yellow

5.5.2 Nozzle

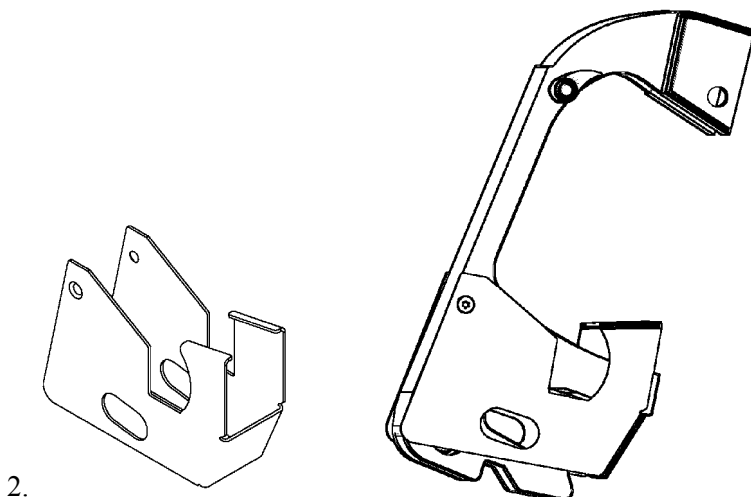


Nozzles from left to right in picture above:

1. Nozzle spout 31mm. Recommended for high speed flowrates up to 130 lpm.
2. Nozzle spout 24,5mm with drip catch. For flowrates between 40-70 lpm.
3. Nozzle spout 24,5mm. For diesel and leaded petrol with flowrates 40-70 lpm.
4. Nozzle spout 21mm for unleaded petrol. Maximum flowrate 40 lpm.

	Part number	Description
	WM009034	Urea (SCR)
		With cover, with VR
U	WM002123-0017	8, spout od=21, green
		With cover, with VR
	WM002123-0001	8D, spout od=25, yellow
	WM002123-0002	8D, spout od=25, black
	WM002123-0003	8D, spout od=25, white
	WM002123-0004	8D, spout od=25, red
	WM002123-0005	8D, spout od=25, green
	WM002123-0006	8D, spout od=25, blue
U	WM002123-0007	8D, spout od=21, black
U	WM002123-0008	8D, spout od=21, blue
U	WM002123-0009	8D, spout od=21, green
	WM002123-0010	8D, spout od=21, red
	WM002123-0011	8D, spout od=21, white
	WM002123-0012	8D, spout od=21, yellow
		With cover, without VR
U	WM002128	ZVA 25, 8D, black
	WM002016-0007	19mm, 8D, spout ID=16/OD=21, black
	WM002016-0008	19mm, 8D, spout ID=16/OD=21, blue
	WM002016-0009	19mm, 8D, spout ID=16/OD=21, green
	WM002016-0010	19mm, 8D, spout ID=16/OD=21, red
	WM002016-0011	19mm, 8D, spout ID=16/OD=21, white
	WM002016-0012	19mm, 8D, spout ID=16/OD=21, yellow
	WM002016-0002	19mm, 8D, spout ID=19/OD=24.5, black
	WM002016-0006	19mm, 8D, spout ID=19/OD=24.5, blue
	WM002016-0005	19mm, 8D, spout ID=19/OD=24.5, green
	WM002016-0004	19mm, 8D, spout ID=19/OD=24.5, red
	WM002016-0003	19mm, 8D, spout ID=19/OD=24.5, white
	WM002016-0001	19mm, 8D, spout ID=19/OD=24.5, yellow
U	WM002016-0013	19mm, 8D, spout ID=21/OD=25, black, D.catch+stop
	WM002016-0037	19mm, 8D, spout ID=21/OD=25, black, drip catcher
	WM002016-0046	19mm, 8D, spout OD=21, blue, ethanol

	Part number	Description
		With cover, with VR
	WM002123-0001	8D, spout OD=25, yellow
	WM002123-0002	8D, spout OD=25, black
	WM002123-0003	8D, spout OD=25, white
	WM002123-0004	8D, spout OD=25, red
	WM002123-0005	8D, spout OD=25, green
	WM002123-0006	8D, spout OD=25, blue
	U WM002123-0007	8D, spout OD=21, black
	U WM002123-0008	8D, spout OD=21, blue
	U WM002123-0009	8D, spout OD=21, green
	WM002123-0010	8D, spout OD=21, red
	WM002123-0011	8D, spout OD=21, white
	WM002123-0012	8D, spout OD=21, yellow
	U WM002123-0017	8, spout OD=21, green
	WM002123-0026	8D, spout OD=21, BP light blue, comfi grip
	WM002123-0027	8D, spout OD=25, BP light blue, comfi grip
	WM002123-0029	8D, spout OD=25, light green
	WM002123-0030	8D, spout OD=21, light green
	WM002009	Handle 8D
2	WM005331	Nozzle locking mechanism
	WM000631-0001	Self tapping screw, TORX, CSK HEAD, type C ST 2,9X9,5
		Splash guard
	WM012315-0001	ID=24, OD=82, BP light blue (NL)
	WM012315-0002	ID=24, OD=82, green
	WM012315-0003	ID=24, OD=82, green
	WM012315-0004	ID=24, OD=82, green (UK)
	WM012315-0005	ID=24, OD=82, blue
	WM012315-0006	ID=24, OD=82, red
	WM012315-0007	ID=24, OD=82, yellow
	WM012317-0001	ID=26, OD=92, BP light blue (AT)
	WM012317-0002	ID=26, OD=92, BP dark blue (AT)
	WM012317-0003	ID=26, OD=92, green
	WM012317-0004	ID=26, OD=92, black
	WM012317-0005	ID=26, OD=92, blue
		Comfi grip
	WM012182-0001	BP light blue
	WM012182-0002	BP dark blue
	WM012300-0001	VR, BP light blue



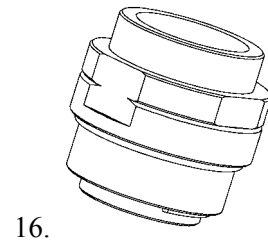
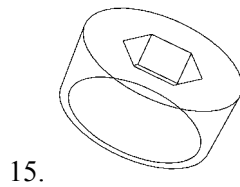
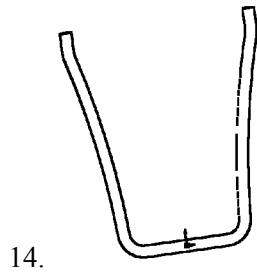
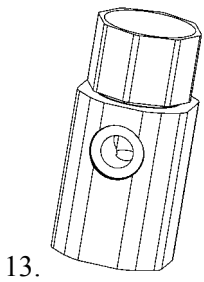
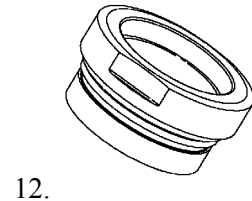
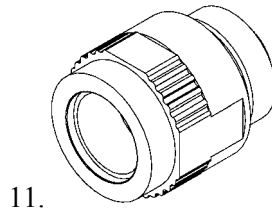
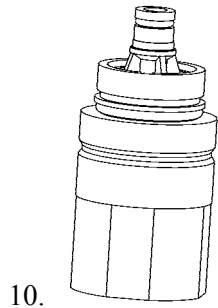
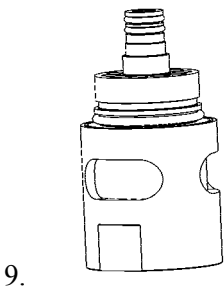
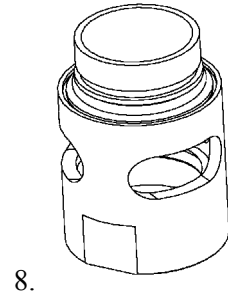
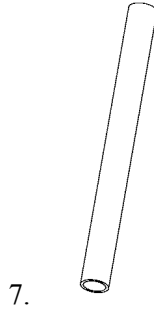
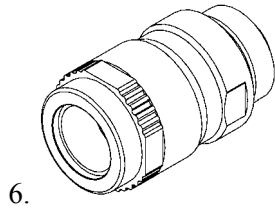
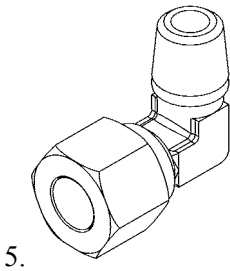
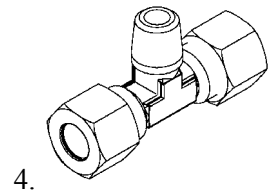
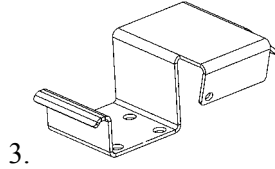
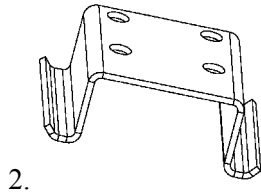
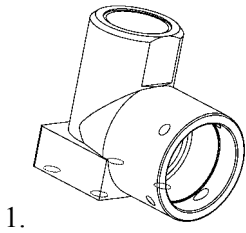
5.5.3 Hose, Global Star LHR

	Part number	Description
	WM002078-0002	Biodiesel ID=16 mm, L=5.0 m, black
	WM002081-0002	Biodiesel ID=21 mm, L=5.0 m, black
	WM002095	H.VR, L=4.9 m, black
	WM002078	ID=16 mm, L=5.0 m, black
	WM002081	ID=21 mm, L=5.0 m, black
	WM002083	ID=25 mm, L=5.0 m, black
	WM002078-0001	LT ID=16 mm, L=5.0 m, black
	WM002081-0001	LT ID=21 mm, L=5.0 m, black
	WM002083-0001	LT ID=25 mm, L=5.0 m, black
	WM002095-0001	LT VR, L=4.9 m, black

5.5.4 Hose, Global Star HH

	Part number	Description
	WM002078-0003	ID=16 3,25 m
	WM002078-0004	ID=16, LT 3,25 m slang
	WM002078-0005	ID=16, Biodiesel 3,25 m
	WM002081-0003	ID=21 3,35 m
	WM002081-0004	ID=21, LT 3,35 m slang
	WM002081-0005	ID=21, Biodiesel 3,35 m
	WM002083-0003	ID=25 3,20 m
	WM002083-0004	ID=25, LT 3,20 m
	WM002095-0002	VR ID=21 3,35 m
	WM002095-0003	ID=21, LT 3,35 m

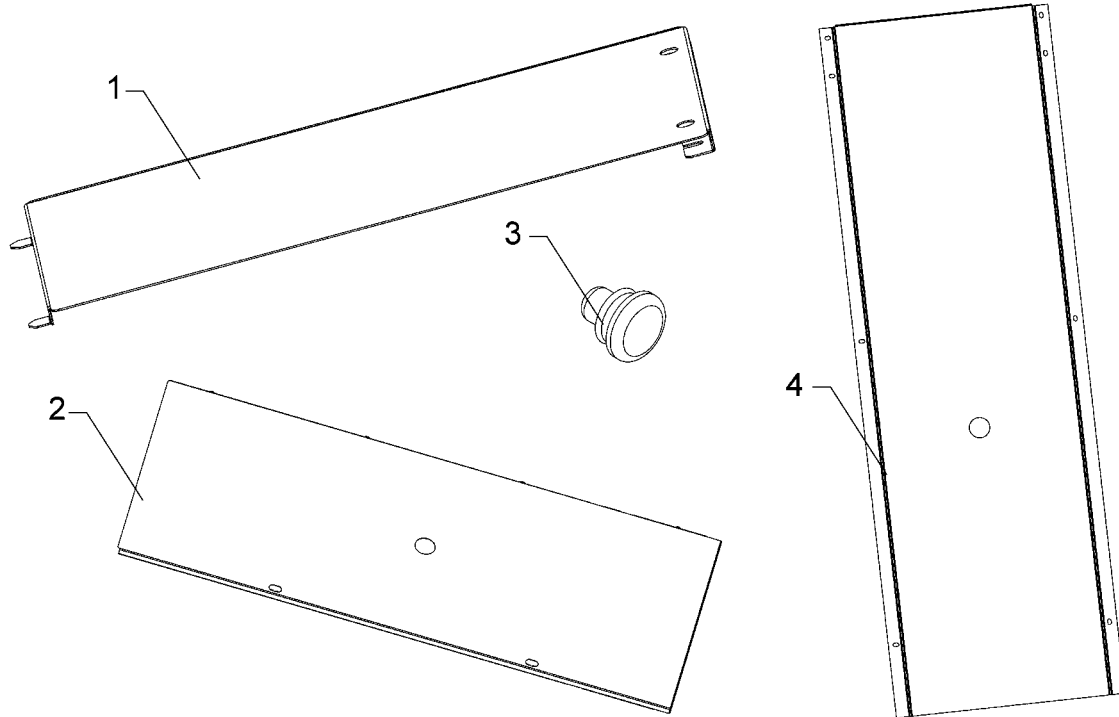
5.5.5 Miscellaneous



	Part number	Description
	WM003160	Sealant loxeal 58-11, thread sealant
1	WM002031	Coupling, 90 degree female double-bump, male 1" BSP
2	WM002079	Support, U-shape
3	WM002455	Support, Z-shape
4	WM002045	Coupling, T-coupling male R 1/4, D=10 both ends
5	WM002047	Coupling, 90 degree male R 1/4, D=10
6		Break-away and swivel
	WM002024	SSB 16
	WM009476	SSB 16 FS (for LT diesel hose)
	WM009013	SSB 25
7		Tube, vapour
	WM002161	L=110 mm
	WM002718	L=250 mm
		Sight glass
8	WM002348	Without vapour (VR)
9	WM002030	With vapour (VR)
10	WM002068	Break-away male THD M34 x 1.5, female THD 34 x 1.5
11	WM002015	Swivel
12	WM002058	Coupling, straight male M42 x 1.5, female M32 x 1.5
13	WM002117	Housing, machined ZAF 2.1cr
14	WM001925	Lock pin for tube fitting
15	WB000367-0001	Plug, hexagon socket pipe plug M26 x 1.5
16	WM003048	Swivel male 42x1.5, female 1"
17	WM003021	O-ring T=4.0, ID=24
	WM002217	O-ring t=5.0, ID=21 (for "double bump", tube connection)
	WB000260-0001	Taptite screw, hexagon socket cap, M6 x 16

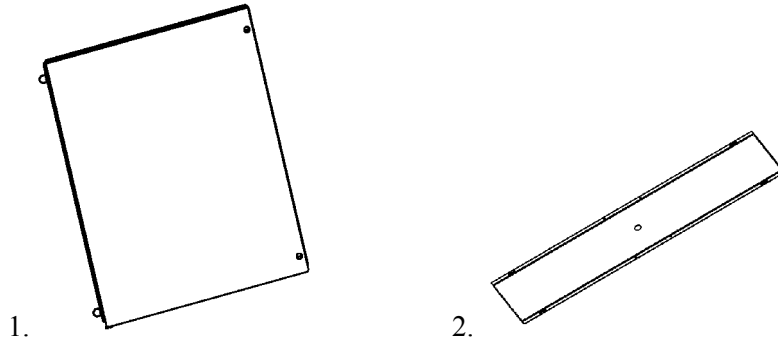
5.6 Divider panel

5.6.1 Divider panel, Global Star LHR



	Part number	Description
	WM003175	Gasket U-shape, EPDM
1	WM002172	Support, box shape
2	WM002171	Support, box shape
3	WB000339-0001	Plastic fastener rivet, thickness range 2.5 - 4.0 THK
4	WM002140	Blind panel

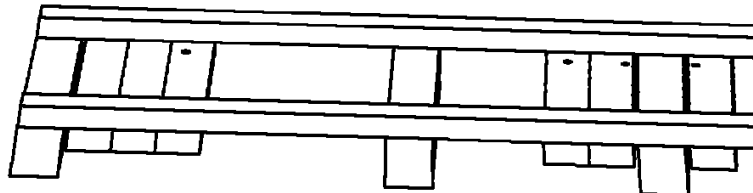
5.6.2 Divider panel, Global Star HH



	Part number	Description
	WM008308	Support, box shape
	WE000462	Blind panel

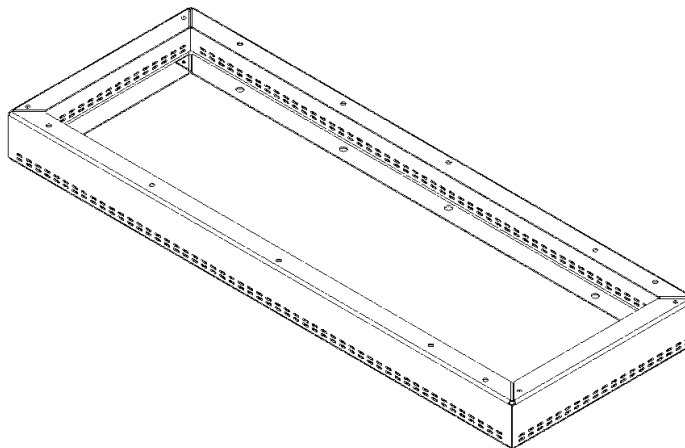
6 Pallet/Drip-pan/Extended base frame/foundation frame

6.1 Pallet



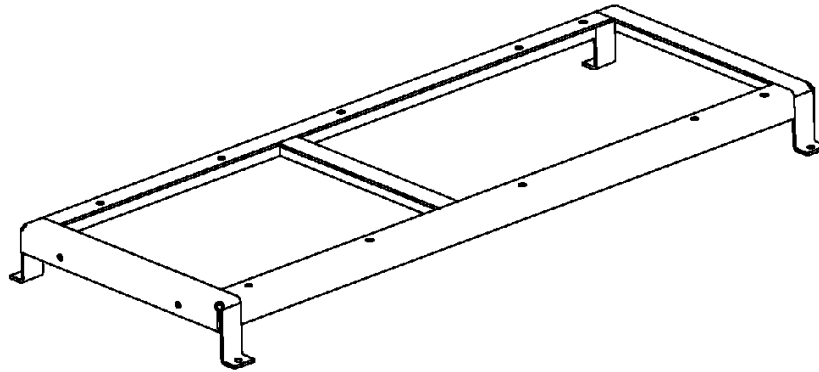
Part number	Description
	Pallet LHR & HH
WM007471	L=1360 mm (CXX-32, CXX-22, CXX-31, CXX-11, CXX-21)
WM007466	L=1630 mm (CXX-33)
WM007470	L=1895 mm (CXX-42, CXX-43, CXX-44)

6.2 Extendend base frame



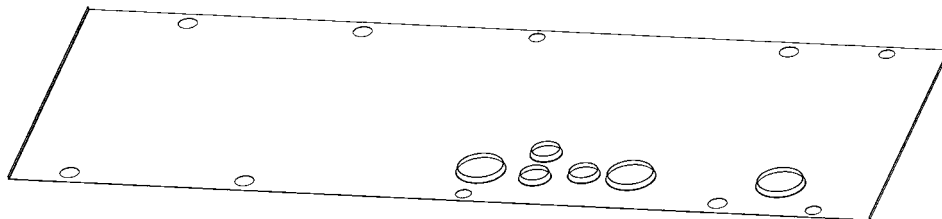
Part number	Description
	Extendend base frame LHR & HH
WM004160	C11-11
WM004161	C22-22
WM004162	C33-33
WM004163	C44-42
WM004164	C44-43
WM004165	C44-44

6.3 Foundation frame



Part number	Description
	Foundation frame LHR & HH
WM004018	3 hydraulics, 1 nozzle
WM004019	3 hydraulics, 2 nozzle
WM004020	3 hydraulics, 3 nozzle
WM004023	4 hydraulics, 2 nozzle
WM004022	4 hydraulics, 3 nozzle
WM004021	4 hydraulics, 4 nozzle

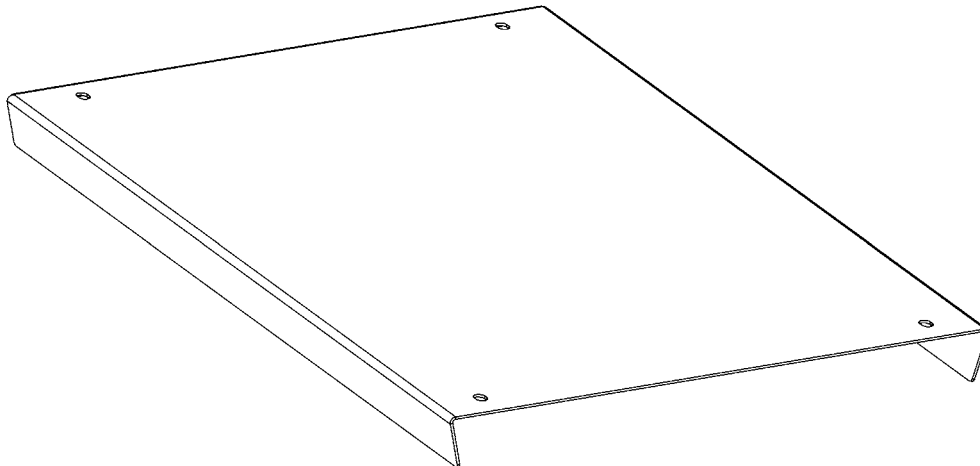
6.4 Drip-pan



Part number	Description
	Drip-pan LHR & HH suction pump
WM002859	3 hydraulics + 1 nozzle module L=1100 mm
WM002858	3 hydraulics + 2 nozzle modules L=1240 mm
WM002854	3 hydraulics + 3 nozzle modules L=1380 mm
WM003030	4 hydraulics + 2 nozzle modules L=1500 mm
WM003029	4 hydraulics + 3 nozzle modules L=1640 mm
WM002860	4 hydraulics + 4 nozzle modules L=1780 mm

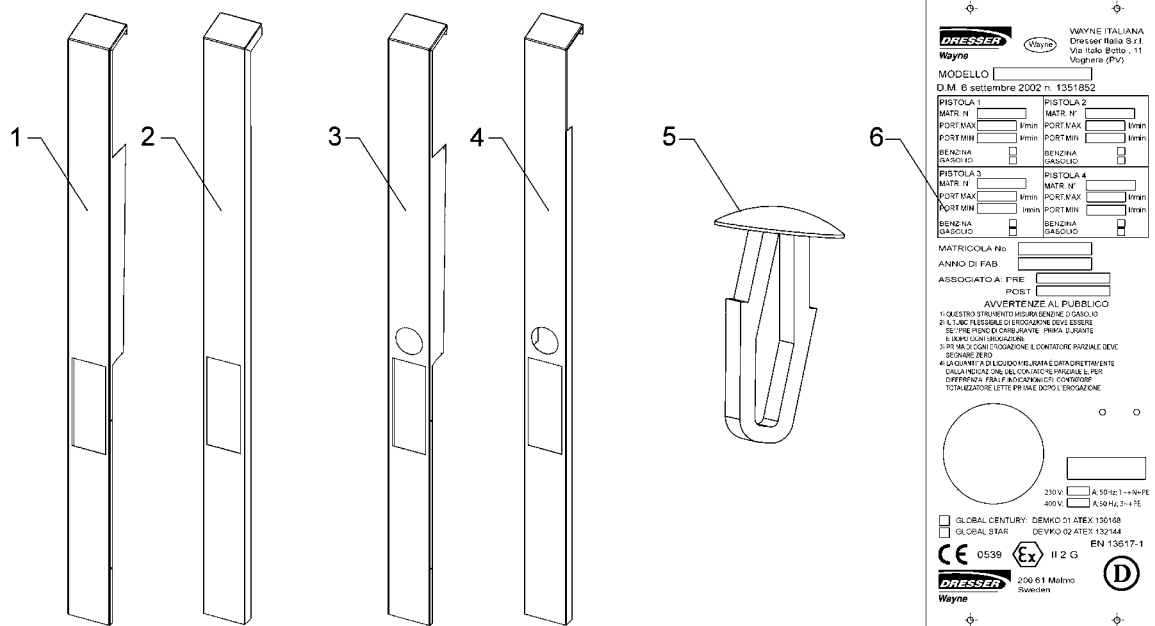
7 Exterior

7.1 Cover plate, top panel, hose handling



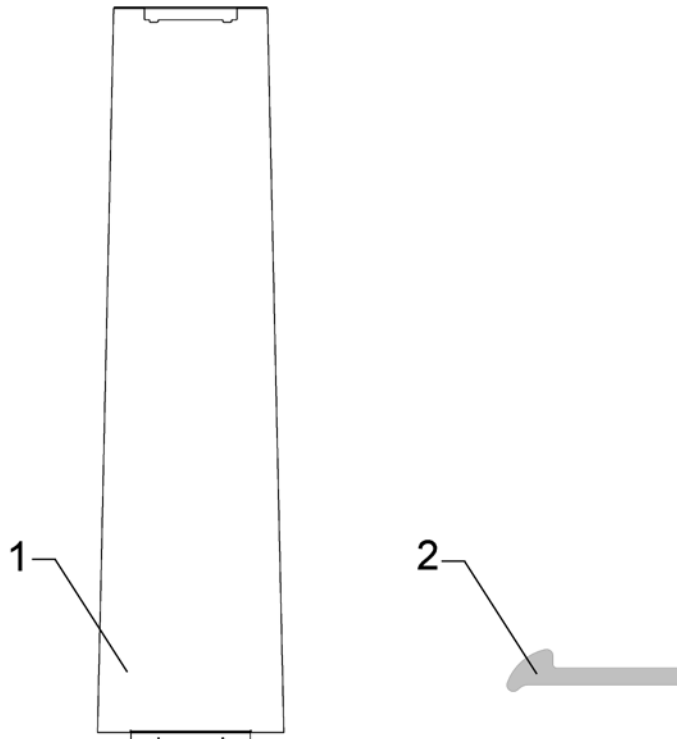
Part number	Description
	Cover plate, top panel Global Star LHR
WM002040	1 module
WM002042	2 modules
WM001378	3 modules
WM002043	4 modules
	Cover plate, top panel Global Star HH
WM007103-0001	1 module black grey
WM007103-0005	1 module yellow
WM007103-0002	2 modules black grey
WM007103-0006	2 module yellow
WM007103-0003	3 modules black grey
WM007103-0007	3 module yellow
WM007103-0004	4 modules black grey
WM007103-0008	4 module yellow
WB000250-0001	Self tapping screw, Torx, pan head, type C ST5,5 x 19

7.2 Cover plate, column



	Part number	Description
	WM003173	Adhesive tape, double-sided width=1/2" x thickness=0.85mm
		Cover plate, column Global Star HH
	WM008624-0001	Side A, Conoco
	WM008624-0002	Side B, Conoco
		Cover plate, column Global Star LHR
	WM005356	Side A, B2B
	WM005357	Side B, B2B
1	WM000735	Side A
2	WM000756	Side B
3	WM004158	Side A LPG
4	WM004159	Side B LPG
5	WB000264-0001	Plastic fastener, drive fastener thickness range 1.0 - 4.5
6		Approval label
	WM003775	Blind plate
	WM003991	Croatia
	WM003928	CZ
	WM003370	DE
	WM003439	IT (with VR pressure gauge)
	WM003806	IT (without VR pressure gauge)
	WM003660	ES
	WM003184	SE
	WM003844	Switzerland
	WM003773	UA
	WM003769	YU
		Approval label (Urea)
	WM008737	CZ
	WM008735	AUSTRIA
	WM008736	HU
	WM008739	DE
	WM008979	SI

7.3 Side panel, hose handling

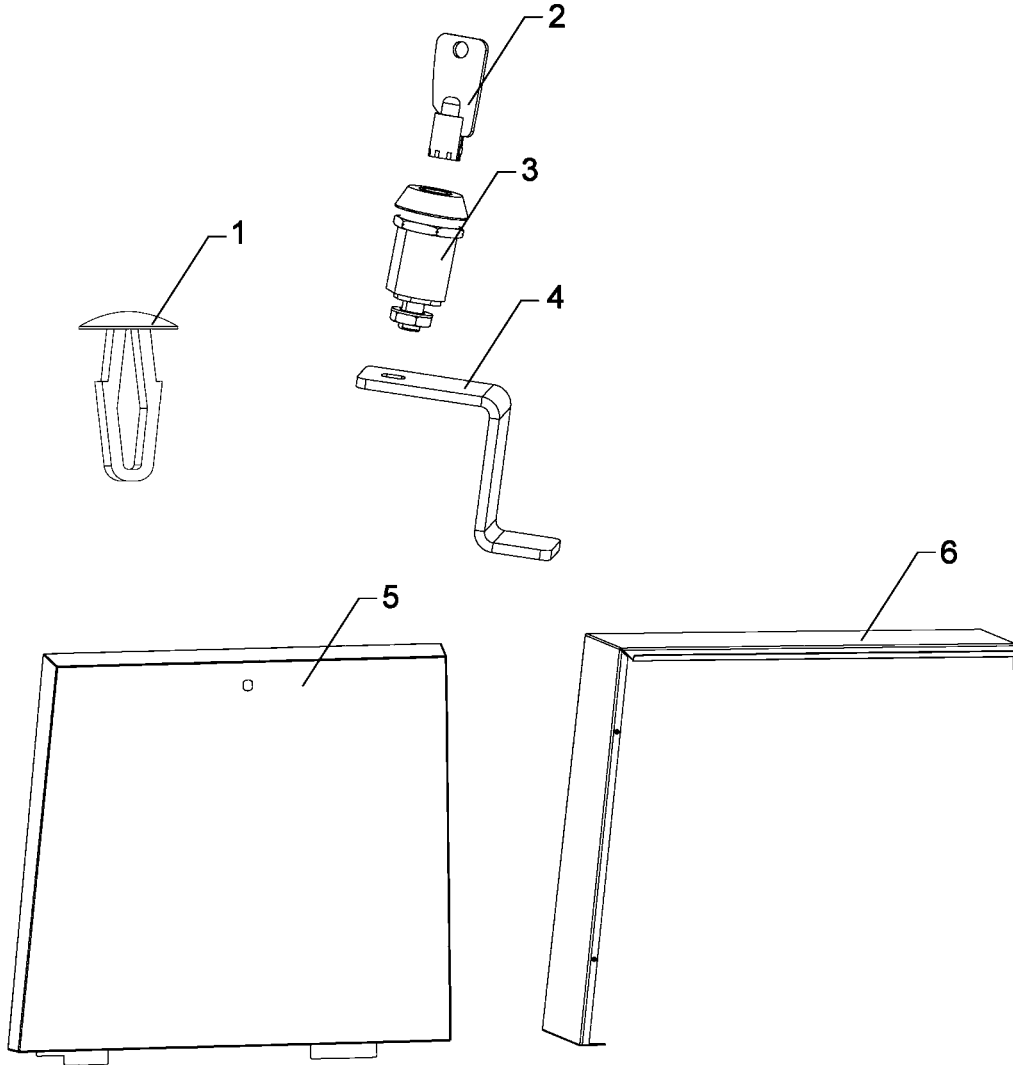


	Part number	Description
	WM008672	Adhesive tape, double sided, width=12 mm, thickness=1,6 mm
1		Side Panel Global Star LHR
	WM000731-0002	AL
	WM003118-xxxx	Std, see painting instruction
2	WM003000	Profile list
		Side Panel Global Star HH
	WM007839-0002	AL
	WM007834-xxxx	Std, see painting instruction



7.4 Front panel, hydraulic

7.4.1 Global Star LHR and HH

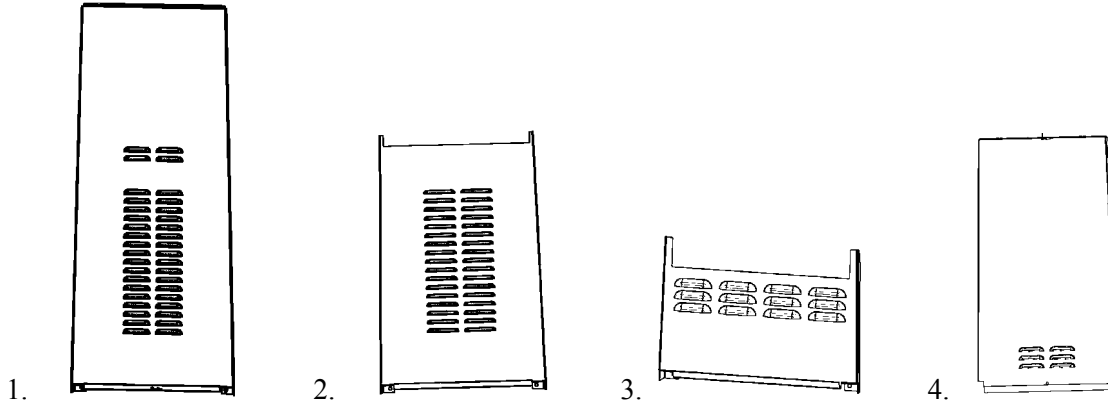


Painting instructions, see document 461312.

	Part number	Description
1	WB000264-0001	Plastic fastener, drive fastener thickness range 1.0 - 4.5
2	WM003119	Key for WM001994-0002
3		Lock
	WM001994-0002	Std (without key, use WM003119)
	WM001994-0001	Individually keyed (include 2 keys)
4	WM003108	Latch for hydraulic door
5	WM003113-xxxx	Front panel, side A, 3 modules 90 deg
	WM003113-xxxx	Front panel, side A, 3 modules 96 deg
	WM003113-xxxx	Front panel, side A, 4 modules 90 deg
	WM003113-xxxx	Front panel, side A, 4 modules 96 deg
	WM003113-xxxx	Front panel, side B, 3 modules 90 deg
	WM003113-xxxx	Front panel, side B, 3 modules 96 deg
	WM003113-xxxx	Front panel, side B, 4 modules 90 deg
	WM003113-xxxx	Front panel, side B, 4 modules 96 deg
	WM003113-0006	Wayne std, pure white, RAL 9010, gloss 70
	WM003113-0018	Mint green, RAL 6029, gloss 70
	WM003113-0038	Traffic yellow, RAL 1023, gloss 70
	WM003113-0054	Ultramarine blue, RAL 5002, gloss 70
6		Top panel 90 deg
	WM001862	3 modules
	WM001864	4 modules
	WM005155-0001	3 modules yellow CONOCO
	WM005155-0002	4 modules yellow CONOCO
	WB000251-0001	Pop rivet, CSK head, 4.0 diameter, grip range 2.0 - 4.4, closed end
		Top panel 96 deg
	WM001860	3 modules
	WM001863	4 modules
	WB000251-0001	Pop rivet, CSK head, 4.0 diameter, grip range 2.0 - 4.4, closed end
	WB000211-0001	Screw, hexagon socket cap, M6 x 16

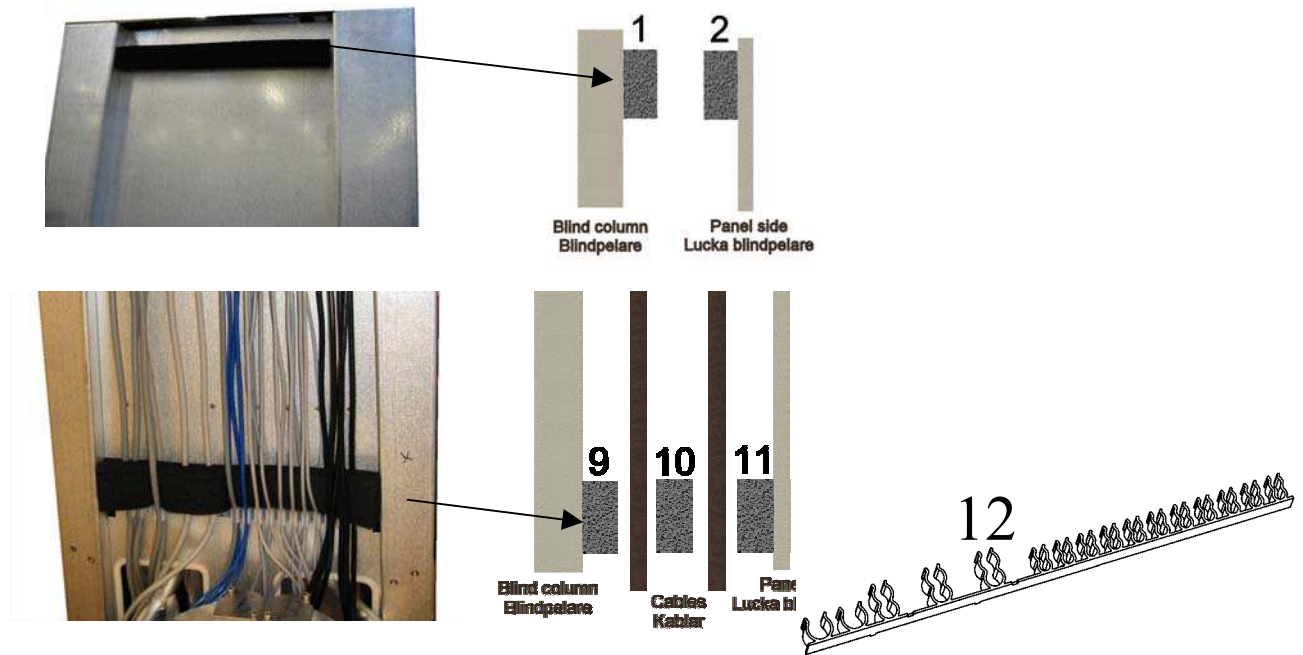
7.5 Side panel

7.5.1 Global Star LHR and HH



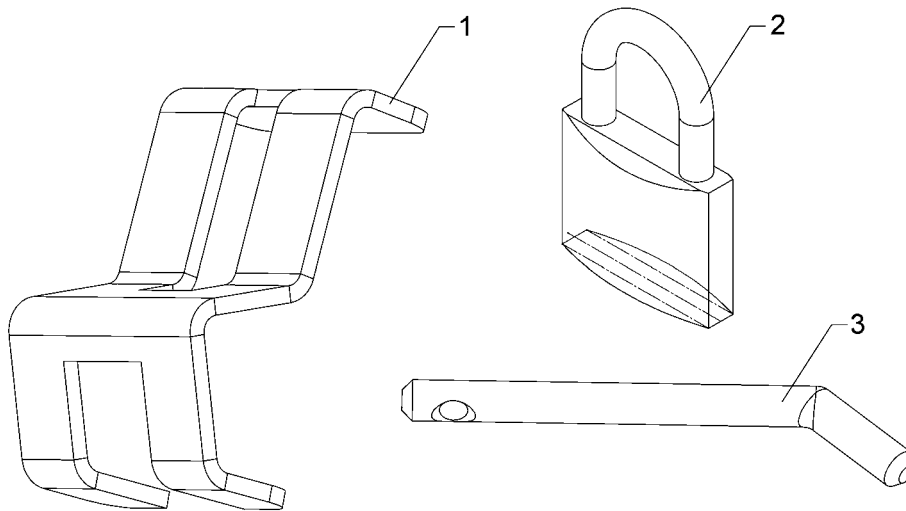
	Part number	Description
		Side panel
1	WM005355	B2B
2	WM012342	Std without Pay@Pump box
	WM012352-0001	Yellow RAL 1003, without Pay@Pump box
3	WM009951	Std with Pay@Pump box
	WM011409-0001	Yellow RAL 1003, with Pay@Pump box
		Upper barrier (HH)
4	WE000206	Std
	WM008629-0001	Yellow RAL 1003
	WM008629-0002	TNK-BP

7.6 Sealing barrier



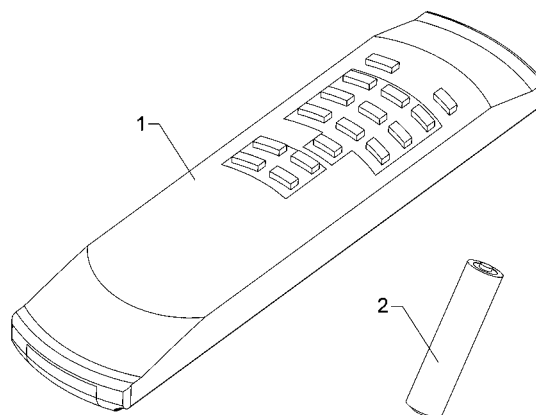
	Part number	Description
1,2	WM002533	Sealing panel hose handling upper (L=310 mm)
9,11	WM002538	Sealing panel hose handling lower (L=373 mm)
10	WM002531	Sealing panel hose handling lower (L=383 mm)
12	WM001061	Cable hanger

7.7 Padlock



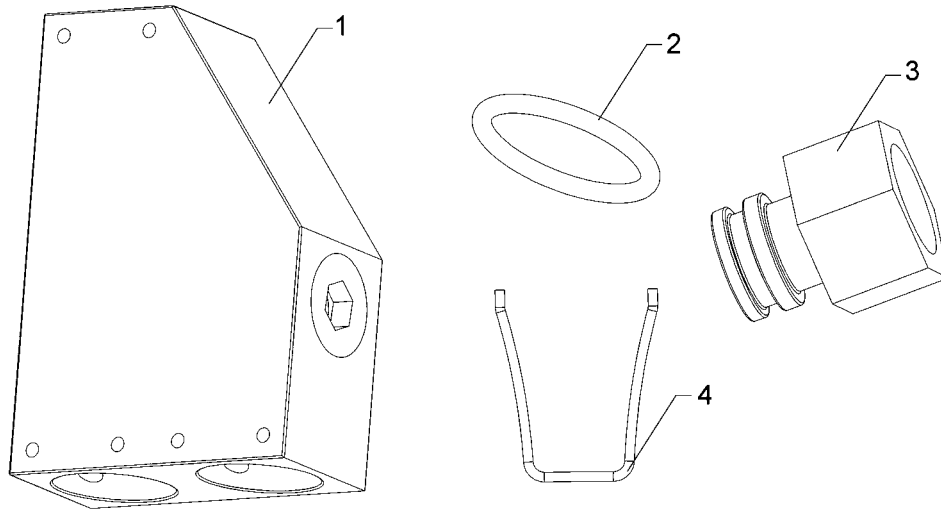
	Part number	Description
1	WM004686	Lock LPG nozzle
2	WM003189	Padlock
3		Pin
	WM002518-0001	1 nozzle
	WM002518-0002	2 nozzles
	WM002518-0003	3 nozzles
	WM002518-0004	4 nozzles
	WM002518-0005	5 nozzles
	WM002518-0006	6 nozzles

7.8 Remote control, with battery



	Part number	Description
1	WM002290	Remote control with battery
2	WM002289	Battery LR03 size AAA 1.5V

7.9 Other to SAT



	Part number	Description
1	WM003045	Coupling female double bump, 2 inlet, 1 outlet
2	WM000334	O-ring T=3.53, ID=23.40
3	WM003364	Coupling, straight double bump, thread 1"
4	WM001925	Pin

8 Documents



Part number	Description
	User's Manual (with installation drawings)
WM011132	CZ
WM011133	DE
WM011134	ES
WM011135	FI
WM011136	FR
WM011131	GB (English)
WM011137	IT
WM011138	NL
WM011139	PL
WM011226	PT
WM011140	RO
WM011141	RU
WM011142	SE
WM011143	SI
WM011144	UA
WM011145	YU
461399	Painting Instructions LHR
461401	Painting Instructions HH
461386	Painting Instructions B2B
461251	Spare part list SAT II
461383	A/L test and Maintenance, Vapour recovery pump (8014-5.0) from ASF Thomas
WM011946	Spare parts electronic head (Global Star phase 3)
461362	Spare Parts Global Star phase II



10 Market & Service

Sweden

Dresser Wayne AB

Box 30049

SE-200 61 Malmö

Tel + 46 40-36 05 00

Fax + 46 40-15 03 81

www.wayne.se

E-mail: info@wayne.se

Italy

**Dresser Wayne Pignone -
Deg Italia S.p.a.**

Via Giovanni Piantanida, 12
50127 FIRENZE (FI), Italy

Tel +39 055 3039 200

Fax +39 055 3039 007

UK

Dresser Wayne, DI UK Ltd

Butlerfield Industrial Estate,
Bonnyrigg, Midlothian,
Scotland. EH19 3JQ

Tel. +44 (0)1875 402141

Fax +44 (0)1875 400010

www.wayneuk.com

E-mail: Sales@bonx-wayne.com





More than a century of experience Über 100 Jahre Erfahrung Mer än 100 års erfarenhet Более, чем столетний опыт работы



Wayne Dresser develops, manufactures and markets complete operative systems for fuel handling at service stations. Everything from development and design to efficient production and assembly of components is pursued under one roof.

Wayne Dresser entwickelt, produziert und vermarktet komplette funktionierende Systeme für die Abgabe von Kraftstoffen an Tankstellen. Von der Entwicklung über das Design bis zur Herstellung und Installation liefern wir alles aus einer Hand.

Wayne Dresser utvecklar, tillverkar och marknadsför kompletta operativa system för drivmedelshandling på servicestationer. Under ett och samma tak ryms allt från utveckling och konstruktion till rationell tillverkning och sammansättning av komponenter.

Wayne Dresser разрабатывает, производит и продает совершенные оперативные системы для торговли топливом на станциях обслуживания. Все начиная от разработок и конструкции до эффективного производства и сборки компонентов происходит в пределах одного предприятия.

The operations of Wayne Dresser comprise four interacting parts:

- Equipment such as petrol pumps, payment terminals, point-of-sale terminals and service station operative systems.
- Software for recording and for internal communication at the station, as well as between the station and the oil company, banks and credit institutes.
- Project design with overall responsibility to the customer.
- Field service, technical support and supply of spare parts.

Wayne Dresser makes it easier for the motorist to fill up and make his motoring purchases, while effectively meeting the needs of the service station owner for operating supervision and for conforming to the demands of the authorities on measuring accuracy, minimising pollution and ensuring safety.

Die Niederlassungen von Wayne Dresser umfassen vier ineinander greifende Bereiche:

- Ausrüstungen wie Zapfsäulen, Zahlterminals, Kassenterminals und Tankstellensysteme
- Software für Registrierung und Kommunikation auf der Tankstelle u. zwischen Station und Mineralölfirma sowie Banken und Kreditinstituten.
- Projektgestaltung mit umfassender Verantwortlichkeit dem Kunden gegenüber.
- Service, technische Unterstützung und Lieferung von Ersatzteilen.

Wayne Dresser erleichtert dem Fahrer die Betankung und damit verbundene Einkäufe, unterstützt gleichzeitig den Stationär bei der übersichtlichen Führung seines Betriebes unter Berücksichtigung der behördlichen Vorschriften hinsichtlich Messgenauigkeit, Umwelt- und Sicherheitsauflagen.

Verksamheten omfattar fyra samverkande delar:

- Utrustning som bensinpumpar, betalterminaler, butiksterminaler och stationsdatorer.
- Programvara för registrering och kommunikation internt på stationen samt mellan stationen och oljebolaget, banker och kreditinstitut.
- Projektering med totalansvar gentemot uppdragsgivaren.
- Service på fältet, teknisk support och reservdelsförsörjning.

Wayne Dresser gör det lättare för bilisten att tanka och handla. Samtidigt tillgodoses stationsägarens krav på en effektiv driftskontroll och myndighetskraven på måtnoggrannhet, miljövänlighet och driftssäkerhet.

Действия Wayne Dresser включают четыре взаимосвязанных направления:

- Оборудование, например, топливораздаточные колонки, платежные терминалы, терминалы точек продажи и системы управления АЗС.
- Программное обеспечение для регистрации и для внутренней связи на АЗС, а также между АЗС и нефтяной компанией, банками и институциями кредитов.
- Проектирование с полной ответственностью к клиенту.
- Обслуживание на местах, техническая поддержка и поставка запасных частей.

Wayne Dresser упрощает процесс заправки и приобретения покупок при эффективном согласовании потребностей владельца АЗС для оперативного управления и для соблюдения требований государственных и метрологических служб, а также уменьшения загрязнения окружающей среды и обеспечения безопасности.